

Stock code:002902

**mentech**

# Planar Component Catalog

TO DO THE UTMOST FOR CUSTOMERS

High power density is the mainstream trend in modern switching power supplies for meeting energy saving and environment protection. To achieve this target, the power density of magnetic components should be increased. Planar transformer has compact planar structure and perfect magnetic coupling between windings and core, which makes parasitic parameters reduced and the working performance improved, thus, the power efficiency of whole system level is increased. The planar transformer is now widely used in the high frequency switch power supplies.

The advantages of planar transformer as follows:

- a)Low profile, small size and high power density
- b)Low leakage inductance.
- c)Low High Frequency alternating current resistance resistance.
- d)Low power loss and high efficiency.

● Index	_____	1
● Selection Guide	_____	2-4
● Datasheet	_____	5-54
Planar Transformer	_____	5-25
Planar Inductor	_____	26-54

- IEC 62368-1 Compliant.
- RoHS Compliant.
- Surface Mount Device.
- Operating temperature range (Including self temperature rise): -40 °C to +125 °C.



### Electrical Specifications @25°C

Part Number	Power (W)	Size W*L*H(mm)	Turns Ratio(±3%)	Pri Inductance (uH)	Leakage Inductance (uH MAX)	Hi-pot (Vrms) Pri-Sec	PAGE
TPEIR18-0030DG	15	20*26*9.5	40:4:9	750±30%	12.0	AC 3000	5
TPEIR18-0197SG	20	21.5*19*7.5	10:12:8	10±10%	0.5	DC 1500	6
TPEIR19-0150SG	25~50	21.6*24.7*10.5	4:4:1:1:5	153min	0.8	DC 2250	7
TPEIR20-0177SG	50	21*24*10	8:2	120±20%	0.35	DC1500	8
EIR25-006SG	350	26.5*27.5*10.5	4:5:1	45±12%	0.5	DC 1500	9
EIR25-007SG	150	26.5*31*11.0	6:3:1:9:3	18±10%	0.5	AC 1500	10
TPEIR25-0005SG	350	26*35*13.0	25:3:3	220±10%	5.0	AC 3000	11
TPEIR25-0063SG	500	27*29*11.5	2:2:4:4	24±20%	1.0	DC 1500	12
TPEIR25-0114SG	400	27*29*12.7	6:2:2:2:2	20±8%	0.13	DC 1500	13
TPEIR25-0179SG	350	26.7*28*9.6	3:3:5:5	200±35%	0.1	DC 1500	14
EIR30-007SG	600	31.5*31.5*12.8	4:2:2	70 min	0.2	DC 1500	15
EIR30-012SG	600	31*31*10.5	2:2:2:2	90±12%	0.1	DC 1500	16
EIR30-014SG	600	32*52.2*10.3	21:5:5	200±10%	2.5	AC 3000	17
TPER30-0010SG	200	31.5*38.5*20	20:3:3	330±10%	3.0	AC 3000	18
TPEIR30-0067SG	400	32*30.7*11.8	5:8	115min	0.06	AC 500	19
TPEIR30-0058SG	550	32.5*31.5*11.7	3:5	45±25%	0.5	DC 1500	20
TPEIR31-0198SG	700	32.5*30.3*12.3	3:5:5	60±35%	0.08	AC 1500	21
TPEIR32-0222SG	500	33.5*33*10.5	3:5	60±35%	0.05	DC 500	22
TPEIR34-0066SG	400	35*34*12	6:2:2:2:2	20±8%	0.13	DC 1500	23
TPEIR34-0230DG	1200	35*34*18	2:2:4:4	24±20%	0.12	DC 1500	24
TPER51-0160SG	1000	52.5*61.5*26	7:2:2	100±10%	0.25	AC 3000	25

- IEC 62368-1 Compliant.
- RoHS Compliant.
- Surface Mount Device.
- Operating temperature range (Including self temperature rise): -40 °C to +125 °C.



Electrical Specifications @25°C							
Part Number	Size W*L*H(mm)	Inductance (uH)	Tolerance (±%)	DCR (mΩ)	Isat (A)	Irms (A)	PAGE
EIR20-009SG	21.2*22.5*9.85	6.5	10	5.5	25	30	26
EIR20-015SG	21.2*18.5*8.25	1.8	10	2.5	36	18	27
EIR20-01DG	21.5*10*18.5	0.5	12	1	70	55	28
EIR-005SG	32*31*15.5	23	10	8	20	20	29
EIR30-011SG	32.3*30.8*7.5	7.0	10	4	30	30	30
EER25-003SG	27.5*29.5*14.5	30	13	10	40	22	31
MHW1807SG2R0KA	19*21.3*8.5	2.0	10	3.0	32	/	32
MHW1807SG4R0K	19*21.3*8.5	4.0	10	3.0	18	/	33
MCEP125SG1R0M	13*13.2*5.5	1.0	20	2.5	20	16.5	34
MHW1306SG1R0M	13*13.2*6.1	1.0	20	1.18	30	20	35
MHW1306SGR60M	13*13.2*6.2	0.6	20	0.7	35	25	36
MHW1812DG100J	21*20.5*12	10	8	4.0	17	15	37
MHW2009SG7R0KA	21.2*22.3*8.5	7.0	10	7.0	18	7	38
MHW2114SG270K	21*25*13.7	23.5	7	50	10	3.6	39
MHW2511DG9R5J	28.5*26.3*12	9.5	5	4.0	21	15	40
MHW2720SG6R8K	30*27.8*20.3	6.8	10	2.3	52	35	41
MHW2714SG351K	27.5*30*14.5	240	13	78	8	4	42
MHW2910SG300K	30*30*10.6	30	10	10	40	/	43
MHW3011SG7R0KA	31*32.5*11.5	7.0	10	4	30	/	44
MHW3028DG130J	31*28*28	15	13	3.2	60	25	45
MSCB2822SG4R5U	31*32.5*11.5	4.5	MIN	8.5	/	/	46
CMB3229DG121U	31*32.5*11.5	140	MIN	0.4	/	100	47
CMB8020DG221U	116*55	360	MIN	0.6	/	81	48
CMB10025DG421U	144*65	350	MIN	0.5	/	127	49
MHW5528TG103K	77*56*55	1070	10	48	/	10	50

- High rated current
- Low DC resistance
- Surface mount
- Third mounting pad for greater stability and board adhesion
- AEC-Q200 +150°C (Grade 0) qualified
- RoHS Compliant (RoHS6)
- Operating temperature: -40 °C to +150 °C



## Electrical Specifications @25°C

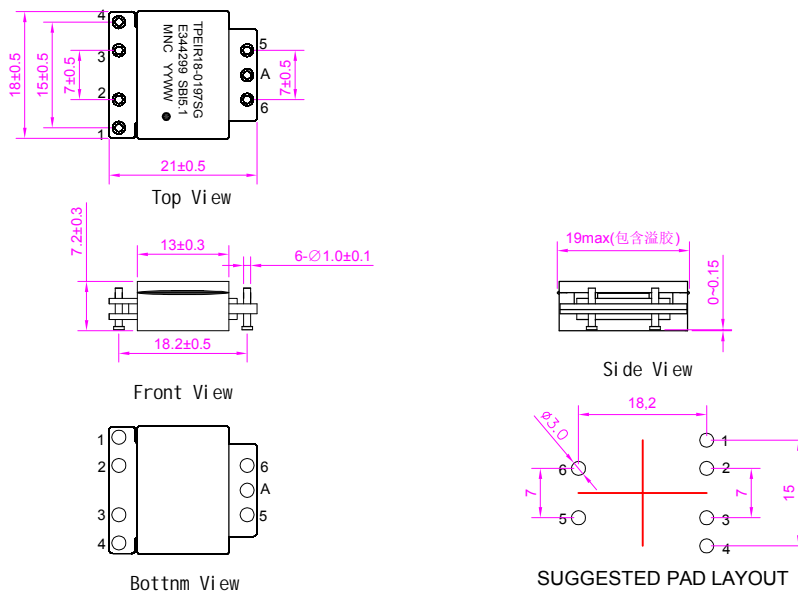
Part Number	Size W*L*H(mm)	Inductance (uH)	Tolerance (±%)	DCR (mΩ)	Isat (A)	Irms (A)	PAGE
MHW2615HBSG2R2K	27.9*27.94*15.36	2.2	10	2.05	100	30	51
MHW2615HBSG3R3K	27.9*27.94*15.36	3.3	10	2.05	66.9	30	51
MHW2615HBSG4R7K	27.9*27.94*15.36	4.7	10	2.05	48	30	51
MHW2615HBSG6R8K	27.9*27.94*15.36	6.8	10	2.05	34.5	30	51
MHW2615HBSG100K	27.9*27.94*15.36	10	10	2.05	21.5	30	51
MHW2615HBSG150K	27.9*27.94*15.36	15	10	2.05	14	30	51
MHW2615HBSG220K	27.9*27.94*15.36	22	10	2.05	8.6	30	51
MHW2615HBSG330K	27.9*27.94*15.36	33	10	2.05	5.1	30	51
MHW2618HBSG3R3K	27.9*27.94*17.78	3.3	10	2.86	92.5	28	52
MHW2618HBSG4R7K	27.9*27.94*17.78	4.7	10	2.86	61.2	28	52
MHW2618HBSG6R8K	27.9*27.94*17.78	6.8	10	2.86	45	28	52
MHW2618HBSG100K	27.9*27.94*17.78	10	10	2.86	31.2	28	52
MHW2618HBSG150K	27.9*27.94*17.78	15	10	2.86	21.2	28	52
MHW2618HBSG220K	27.9*27.94*17.78	22	10	2.86	14	28	52
MHW2618HBSG330K	27.9*27.94*17.78	33	10	2.86	8.7	28	52
MHW2010SG1R0KA		1.0	10	0.65	50		53
MHW2010SG1R5KA		1.5	10	0.9	50		53
MHW2012SG2R2KA		2.2	10	1.2	43		53
MHW2013SG3R3KA		3.3	10	1.5	34		53
MHW2010SG4R7KA		4.7	10	2.4	22		53
MHW2010SG6R8KA		6.8	10	2.9	19		53
MHW2012SG100KA		10	10	3.9	18.3		53
MHW2012SG150KA		15	10	3.9	15.3		53
MHW2014SG200KA		20	10	6.4	14.3		53
MHW2015SG290KA		29	10	7.1	11.0		53
MHW2015SG350KA		35	10	7.1	9.3		53
MHW2014SG120K		12	10	5.0	22		54

- IEC 62368-1 Compliant.
- RoHS Compliant.
- Surface Mount Device.
- Operating temperature range (Including self temperature rise): -40 °C to +125 °C.



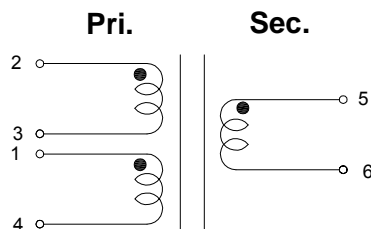
Application										
Output Power (W)	Work Frequency (KHz)	Circuit topology	Input Voltage (V)	Output Voltage (V)	Output Current (A)					
20	200	Flyback	12~55	10	2					
Electrical Specifications @25°C										
Part Number	Turns Ratio (±3%)	OCL(uH±10%) @100KHz,1V	LK(uH max) @100KHz,1.0V	DCR (mΩ max)			HI-POT (Vrms)			Isat
	2-3:1-4:5-6	2-3	2-3 (short other pins)	2-3	1-4	5-6	Pri-Sec	Pri-Core	Sec-Core	2-3
TPEIR18-0197SG	10:12:8	10	0.5	80	410	40	1500Vdc 1mA/60s	500Vdc 1mA/60s	500Vdc 1mA/60s	L(10A)> L(0A)*70%

## SCHEMATICAL DIMENSIONS



Unless otherwise specified all tolerances are:±0.3 mm

## SCHEMATICS



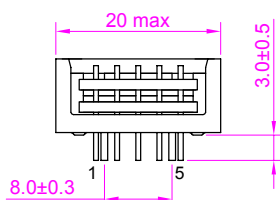
● Start Point

- IEC 62368-1 Compliant.
- RoHS Compliant.
- Surface Mount Device.
- Operating temperature range (Including self temperature rise): -40 °C to +125 °C.

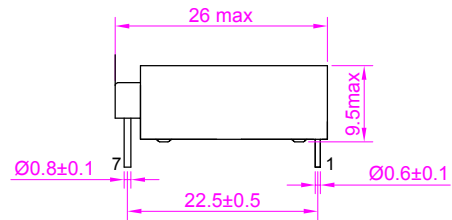


Application									
Output Power (W)	Work Frequency (KHz)	Circuit topology	Input Voltage (V)	Output Voltage (V)	Output Current (A)				
15	100	Flyback	85~264	5/9	3/1.7				
Electrical Specifications @25°C									
Part Number	Turns Ratio(±3%)	OCL(uH±30%) @100KHz,1V	LK(uH Max) @100KHz,1.0V	DCR (mΩ max)			HI-POT (Vrms)		
	3-5:6-7:1-2	3-5	3-5(short 6-7)	3-5	6-7	1-2	Pri-Sec	Pri-Core	Sec-Core
TPEIR18-0030SG	40:4:9	750	12	2600	20	2000	3000V 1mA 60S	500V 1mA 60S	3000Vac

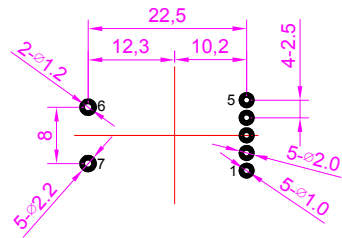
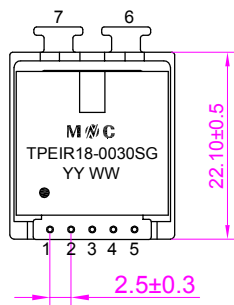
MECHANICAL DIMENSIONS



Front View



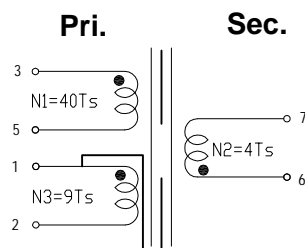
Side View



Recommended PAD Layout

Unless otherwise specified all tolerances are:±0.3 mm

SCHEMATICS



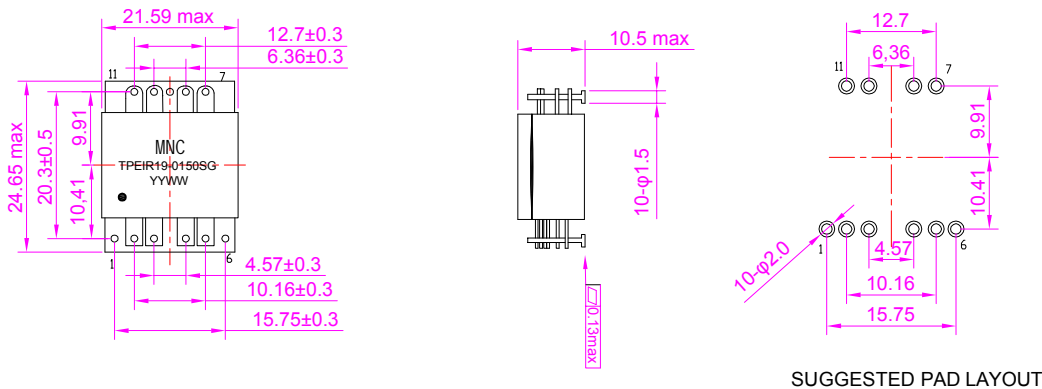
● Start Point

- IEC 62368-1 Compliant.
- RoHS Compliant.
- Surface Mount Device.
- Operating temperature range (Including self temperature rise): -40 °C to +125 °C.



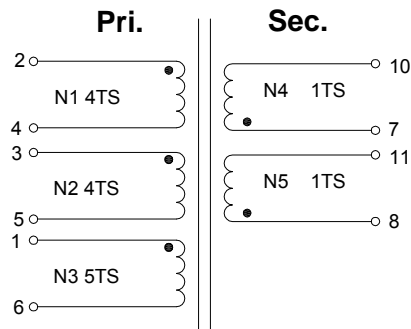
Application							
Output Power (W)	Work Frequency (KHz)	Circuit topology	Input Voltage (V)	Output Voltage (V)	Output Current (A)		
25~50	200	Forward with active clamp	40~56	5	10		
Electrical Specifications @25°C							
Part Number	Turns Ratio(±3%)	OCL(uH min) @100KHz,1V	LK(uH max) @100KHz,1.0V	DCR (mΩ max)			HI-POT (Vrms)
	2-4:3-5:7-10:8-11:1-6	2-5(3+4)	2-5(3+4) (short other pins)	2-4/3-5	7-10/8-11	1-6	Pri-Sec
TPEIR19-0150SG	4:4:1:1:5	153	0.8	5.5	1.2	200	2250Vdc

SCHEMATICS DIMENSIONS



Unless otherwise specified all tolerances are:±0.3 mm

SCHEMATICS



● Start Point

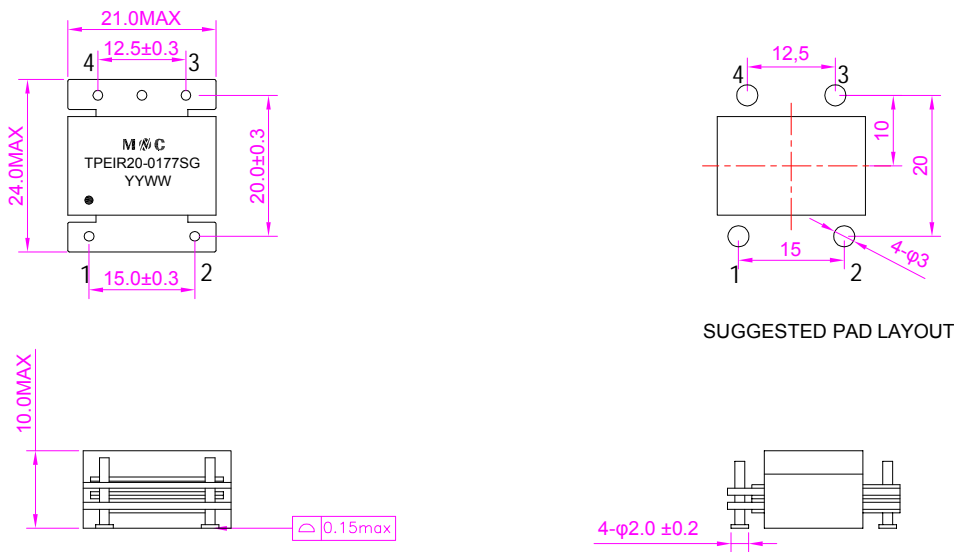


- IEC 62368-1 Compliant.
- RoHS Compliant.
- Surface Mount Device.
- Operating temperature range (Including self temperature rise): -40 °C to +125 °C.



Application							
Output Power (W)	Work Frequency (KHz)	Circuit topology	Input Voltage (V)	Output Voltage (V)	Output Current (A)		
50	200	Forward with active clamp	48	5	10		
Electrical Specifications @25°C							
Part Number	Turns Ratio(±3%)	OCL(uH±20%) @100KHz,1V	LK(uH max) @100KHz,1.0V	DCR (mΩ max)			HI-POT (Vrms)
	1-2:4-3	1-2	1-2 (short other pins)	1-2	4-3	/	Pri-Sec
TPEIR20-0177SG	8:2	120	0.35	30	2.0	/	1500Vdc

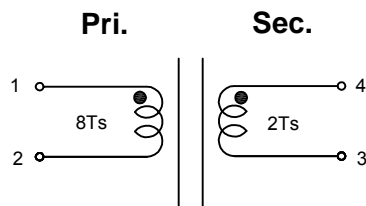
**SCHEMATICS DIMENSIONS**



SUGGESTED PAD LAYOUT

Unless otherwise specified all tolerances are:±0.3 mm

**SCHEMATICS**



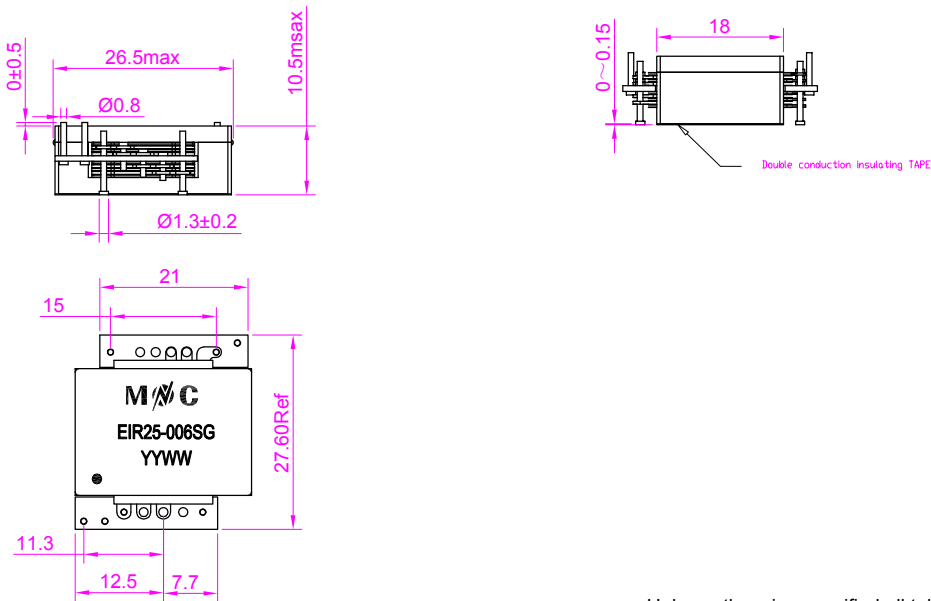
● Start Point

- IEC 62368-1 Compliant.
- RoHS Compliant.
- Surface Mount Device.
- Operating temperature range (Including self temperature rise): -40 °C to +125 °C.



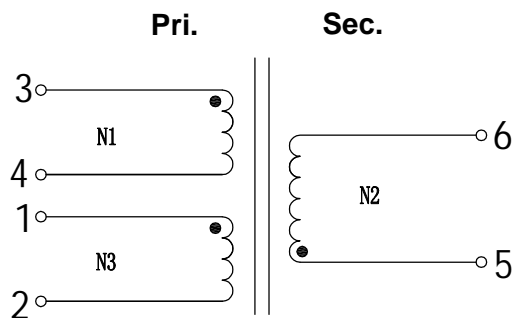
Application							
Output Power (W)	Work Frequency (KHz)	Circuit topology	Input Voltage (V)	Output Voltage (V)	Output Current (A)		
350	250	Forward with active clamp	48	28	12.5		
Electrical Specifications @25°C							
Part Number	Turns Ratio(±3%)	OCL(uH±12%) @100KHz,1V	LK(uH max) @100KHz,1.0V	DCR (mΩ max)			HI-POT (Vrms)
	3-4:5-6:1-2	3-4	3-4 (short other pins)	3-4	5-6	1-2	Pri-Sec
EIR25-006SG	4:5:1	45	0.5	4.2	6.6	/	1500Vdc

**SCHEMATICAL DIMENSIONS**



Unless otherwise specified all tolerances are:±0.3 mm

**SCHEMATICS**



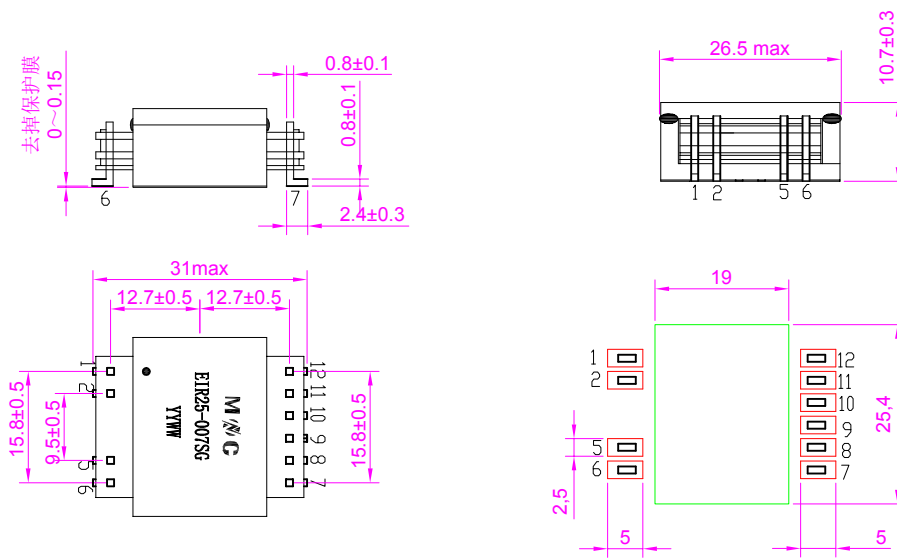
● Start Point

- IEC 62368-1 Compliant.
- RoHS Compliant.
- Surface Mount Device.
- Operating temperature range (Including self temperature rise): -40 °C to +125 °C.



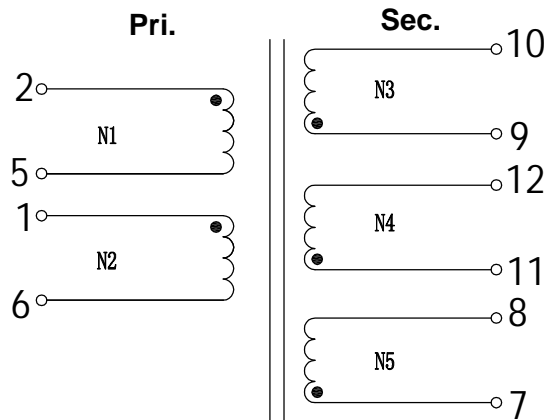
Application							
Output Power (W)	Work Frequency (KHz)	Circuit topology	Input Voltage (V)	Output Voltage (V)	Output Current (A)		
120	200	Flyback	36~60	5.4V/54V	6/1.6		
Electrical Specifications @25°C							
Part Number	Turns Ratio(±3%)	OCL(uH±10%) @100KHz,1V	LK(uH max) @100KHz,1.0V	DCR (mΩ max)			HI-POT (Vrms)
	2-5:1-6:9-10:11-12:7-8	2-5	2-5 (short other pins)	2-5	10-9	11-12	Pri-Sec
EIR25-007SG	6:3:1:9:3	18	0.5	14.0	1.0	40	1500Vac

SCHEMATICAL DIMENSIONS



Unless otherwise specified all tolerances are:±0.3 mm

SCHEMATICS



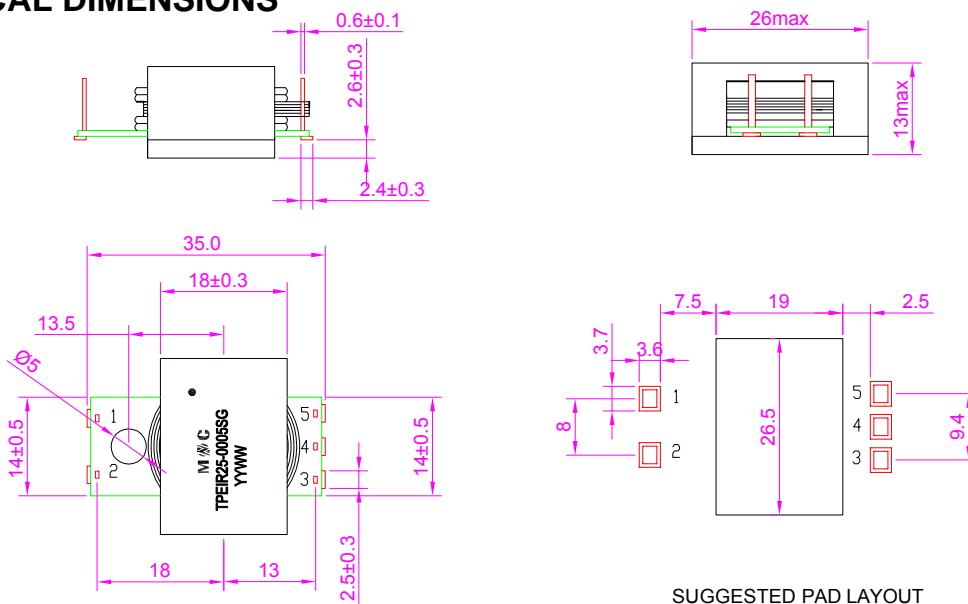
● Start Point

- IEC 62368-1 Compliant.
- RoHS Compliant.
- Surface Mount Device.
- Operating temperature range (Including self temperature rise): -40 °C to +125 °C.



Application							
Output Power (W)	Work Frequency (KHz)	Circuit topology	Input Voltage (V)	Output Voltage (V)	Output Current (A)		
350	130	LLC	85~264	24	15		
Electrical Specifications @25°C							
Part Number	Turns Ratio(±3%)	OCL(uH±8%) @100KHz,1V	LK(uH max) @100KHz,1.0V	DCR (mΩ max)			HI-POT (Vrms)
	1-2:3-4:4-5	1-2	1-2 (short other pins)	1-2	3-4	/	Pri-Sec
TPEIR25-0005SG	25:3:3	220	5	170.0	7.0	/	3000Vac

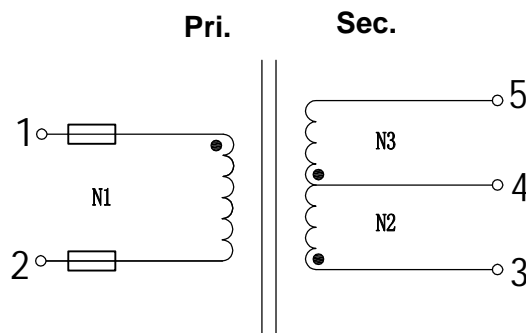
**SCHEMATICAL DIMENSIONS**



SUGGESTED PAD LAYOUT

Unless otherwise specified all tolerances are:±0.3 mm

**SCHEMATICS**



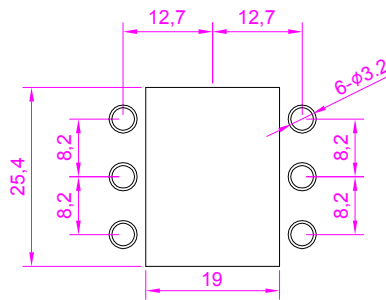
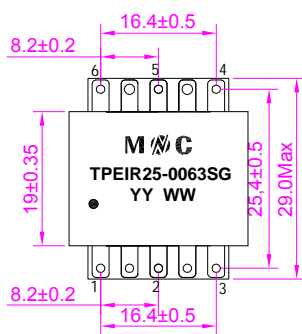
● Start Point

- IEC 62368-1 Compliant.
- RoHS Compliant.
- Surface Mount Device.
- Operating temperature range (Including self temperature rise): -40 °C to +125 °C.

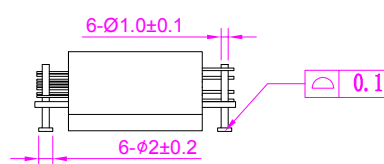
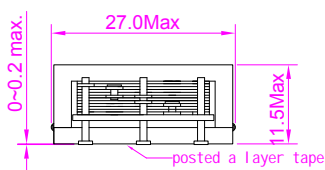


Application							
Output Power (W)	Work Frequency (KHz)	Circuit topology	Input Voltage (V)	Output Voltage (V)	Output Current (A)		
500	300	Push-pull	36~57	48	11		
Electrical Specifications @25°C							
Part Number	Turns Ratio(±3%)	OC(L(uH±20%) @100KHz,1V	LK(uH max) @100KHz,1.0V	DCR (mΩ max)			HI-POT (Vrms)
	1-2:2-3:4-5:5-6	1-3	1-3 (short other pins)	1-3	4-6	/	Pri-Sec
TPEIR25-0063SG	2:2:4:4	24	1.0	6	12	/	1500Vdc

**SCHEMATICAL DIMENSIONS**

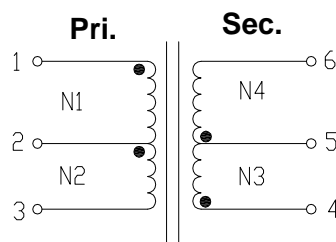


SUGGESTED PAD LAYOUT



Unless otherwise specified all tolerances are:±0.3 mm

**SCHEMATICS**



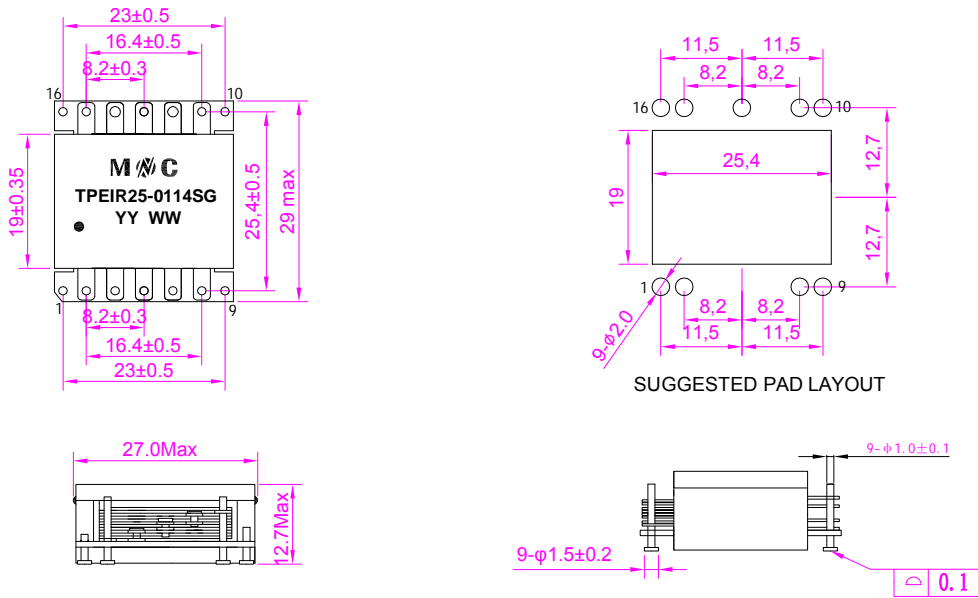
● Start Point

- IEC 62368-1 Compliant.
- RoHS Compliant.
- Surface Mount Device.
- Operating temperature range (Including self temperature rise): -40 °C to +125 °C.



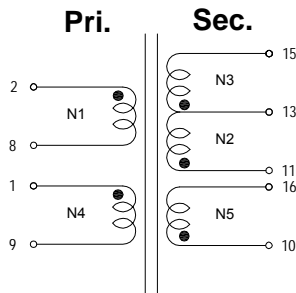
Application							
Output Power (W)	Work Frequency (KHz)	Circuit topology	Input Voltage (V)	Output Voltage (V)	Output Current (A)		
400	300	Full- Bridge	36~65	10.8	38		
Electrical Specifications @25°C							
Part Number	Turns Ratio(±3%)	OCL(uH±8%) @100KHz,1V	LK(uH max) @100KHz,1.0V	DCR (mΩ max)			HI-POT (Vrms)
	2-8:11-13:13-15:1-9:10-16	2-8	2-8 (short other pins)	2-8	11-13	13-15	Pri-Sec
TPEIR25-0114SG	6:2:2:2:2	20	0.13	6.5	2.5	2.5	1500Vdc

**SCHEMATICAL DIMENSIONS**



Unless otherwise specified all tolerances are:±0.3 mm

**SCHEMATICS**



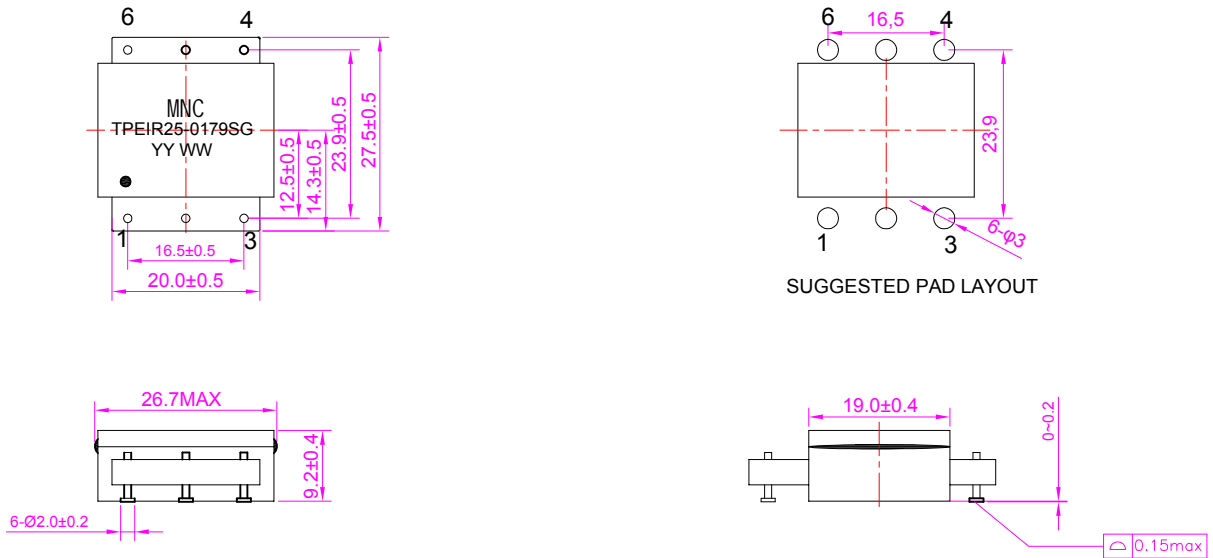
● Start Point

- IEC 62368-1 Compliant.
- RoHS Compliant.
- Surface Mount Device.
- Operating temperature range (Including self temperature rise): -40 °C to +125 °C.



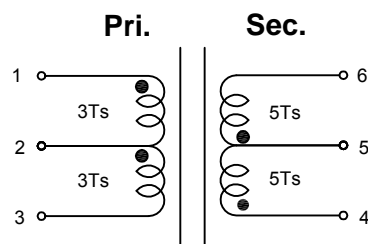
Application							
Output Power (W)	Work Frequency (KHz)	Circuit topology	Input Voltage (V)	Output Voltage (V)	Output Current (A)		
350	200	Push-pull	36~56	50	7		
Electrical Specifications @25°C							
Part Number	Turns Ratio(±3%)	OCL(uH±35%) @100KHz,1V	LK(uH max) @100KHz,1.0V	DCR (mΩ max)			HI-POT (Vrms)
	1-2:2-3:4-5:5-6	1-3	1-3 (short other pins)	1-2/2-3	4-5/5-6	/	Pri-Sec
TPEIR25-0179SG	3:3:5:5	200	0.1	6.5	15	/	1500Vdc

**SCHEMATICAL DIMENSIONS**



Unless otherwise specified all tolerances are:±0.3 mm

**SCHEMATICS**



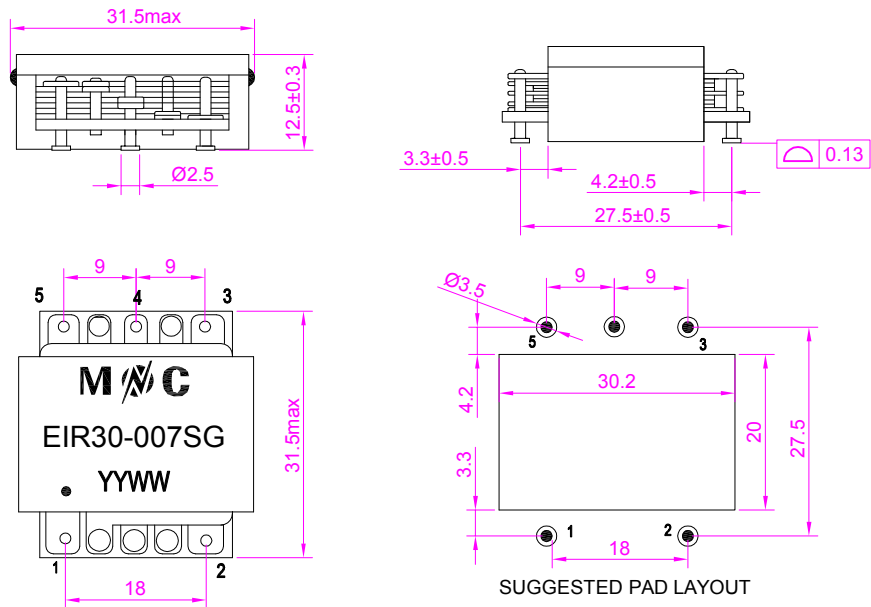
● Start Point

- IEC 62368-1 Compliant.
- RoHS Compliant.
- Surface Mount Device.
- Operating temperature range (Including self temperature rise): -40 °C to +125 °C.



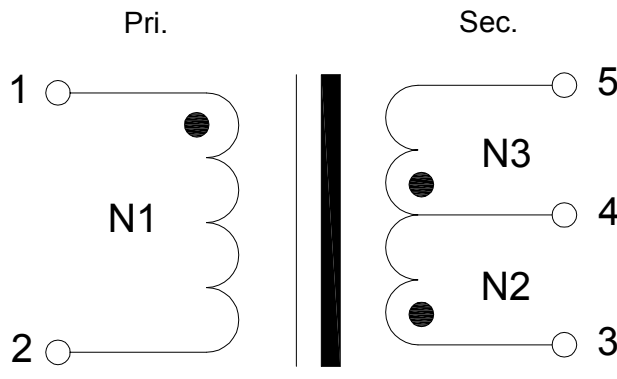
Application							
Output Power (W)	Work Frequency (KHz)	Circuit topology	Input Voltage (V)	Output Voltage (V)	Output Current (A)		
300~600	150	Full bridge	24~42	12	50		
Electrical Specifications @25°C							
Part Number	Turns Ratio(±3%)	OCL(uH Min) @100KHz,1V	LK(uH max) @100KHz,1.0V	DCR (mΩ max)			HI-POT (Vrms)
	1-2:3-4:4-5	1-2	1-2 (short other pins)	1-2	3-4	4-5	Pri-Sec
EIR30-007SG	4:2:2	70	0.2	3.5	1.5	1.5	1500Vdc

**SCHEMATICAL DIMENSIONS**



SUGGESTED PAD LAYOUT  
Unless otherwise specified all tolerances are:±0.3 mm

**SCHEMATICS**



● Start Point

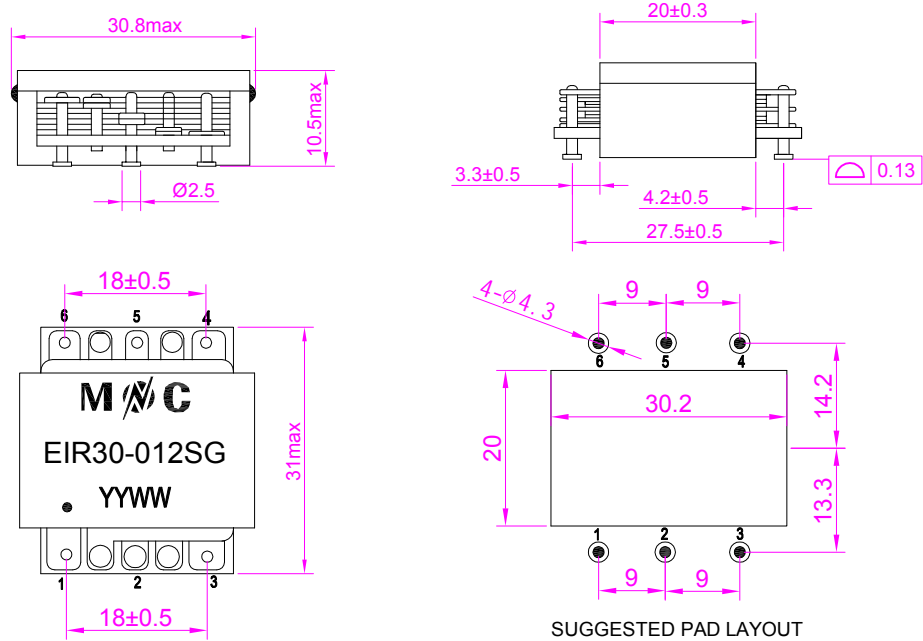


- IEC 62368-1 Compliant.
- RoHS Compliant.
- Surface Mount Device.
- Operating temperature range (Including self temperature rise): -40 °C to +125 °C.



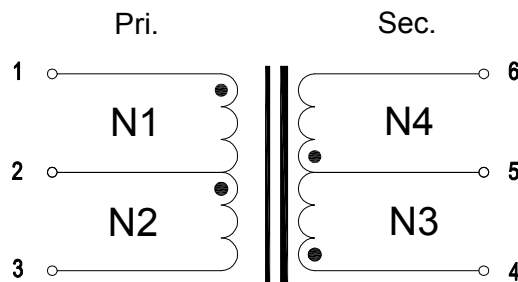
Application							
Output Power (W)	Work Frequency (KHz)	Circuit topology	Input Voltage (V)	Output Voltage (V)	Output Current (A)		
600	300	Push-pull	48	28	25		
Electrical Specifications @25°C							
Part Number	Turns Ratio(±3%)	OCL(uH ±12%) @100KHz,1V	LK(uH max) @100KHz,1.0V	DCR (mΩ max)			HI-POT (Vrms)
	1-2:2-3:4-5:5-6	1-3	1-3 (short 4-6)	1-3	4-5	5-6	Pri-Sec
EIR30-012SG	2:2:2:2	90	0.1	5	3	3	1500Vdc

**SCHEMATICS DIMENSIONS**



Unless otherwise specified all tolerances are:±0.3 mm

**SCHEMATICS**



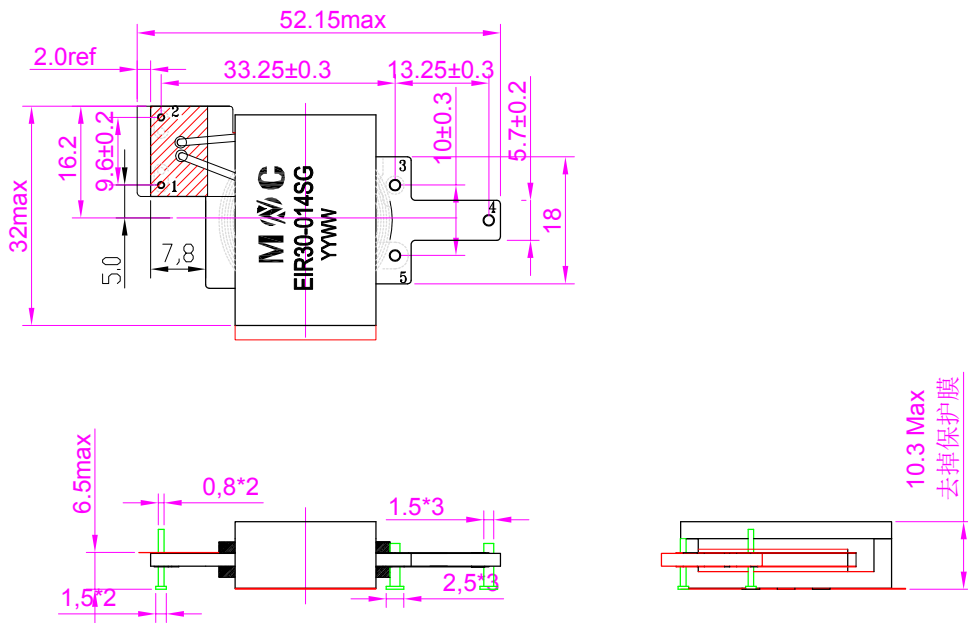
● Start Point

- IEC 62368-1 Compliant.
- RoHS Compliant.
- Surface Mount Device.
- Operating temperature range (Including self temperature rise): -40 °C to +125 °C.



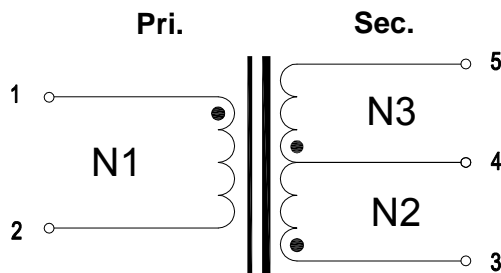
Application							
Output Power (W)	Work Frequency (KHz)	Circuit topology	Input Voltage (V)	Output Voltage (V)	Output Current (A)		
500~600	80~250	LLC	85~264	48	12.5		
Electrical Specifications @25°C							
Part Number	Turns Ratio(±3%)	OCL(uH ±10%) @100KHz,1V	LK(uH max) @100KHz,1.0V	DCR (mΩ max)			HI-POT (Vrms)
	1-2:3-4:4-5	1-2	1-2 (short other pins)	1-2	3-5	/	Pri-Sec
EIR30-014SG	21:5:5	200	2.5	170	32	/	3000Vac

**SCHEMATICAL DIMENSIONS**



Unless otherwise specified all tolerances are:±0.3 mm

**SCHEMATICS**



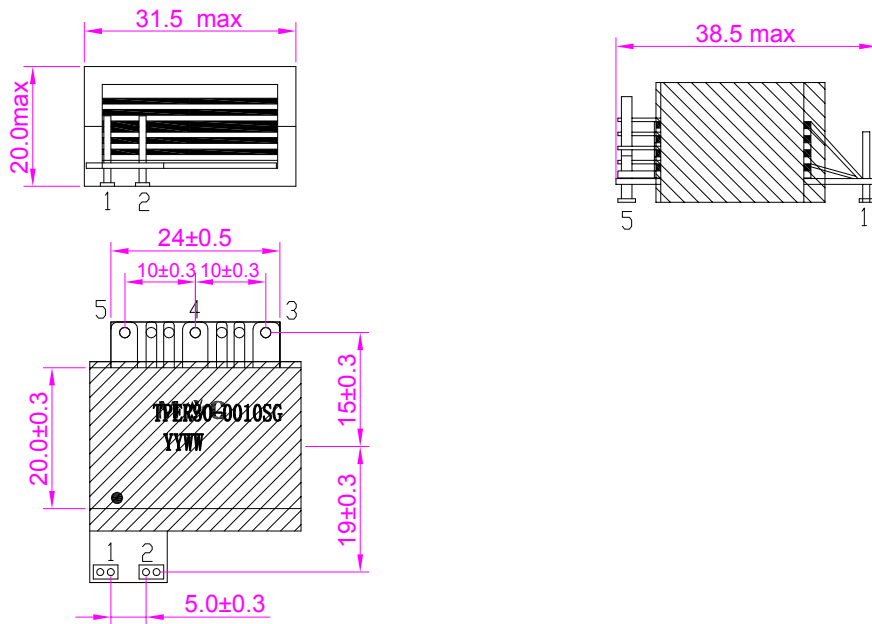
● Start Point

- IEC 62368-1 Compliant.
- RoHS Compliant.
- Surface Mount Device.
- Operating temperature range (Including self temperature rise): -40 °C to +125 °C.



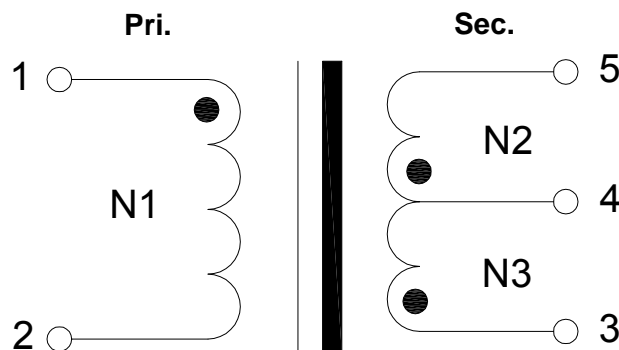
Application							
Output Power (W)	Work Frequency (KHz)	Circuit topology	Input Voltage (V)	Output Voltage (V)	Output Current (A)		
200	100	LLC	85~264	28~30	8		
Electrical Specifications @25°C							
Part Number	Turns Ratio(±3%)	OCL(uH ±10%) @100KHz,1V	LK(uH max) @100KHz,0.1V	DCR (mΩ max)			HI-POT (Vrms)
	1-2:3-4:4-5	1-2	1-2 (short other pins)	1-2	3-5	/	Pri-Sec
TPER30-0010SG	20:3:3	330	3.0	130	7.0	/	AC 3000V

**SCHEMATICAL DIMENSIONS**



Unless otherwise specified all tolerances are:±0.3 mm

**SCHEMATICS**



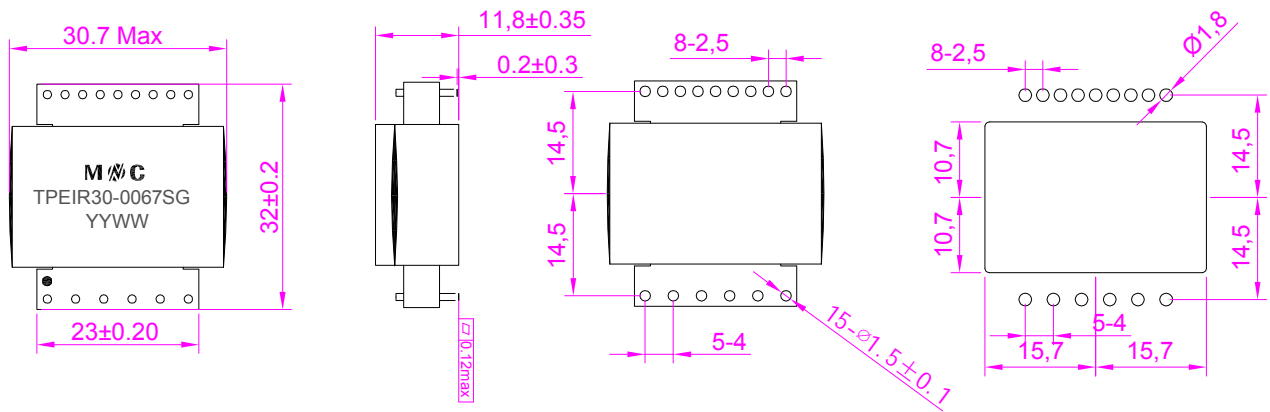
● Start Point

- IEC 62368-1 Compliant.
- RoHS Compliant.
- Surface Mount Device.
- Operating temperature range (Including self temperature rise): -40 °C to +125 °C.



Application								
Output Power (W)	Work Frequency (KHz)	Circuit topology	Input Voltage (V)	Output Voltage (V)	Output Current (A)			
400	130	Full bridge	48	55	7			
Electrical Specifications @25°C								
Part Number	Turns Ratio(±3%)	OCL(uH Min) @100KHz,0.25V	LK(nH Max) @100KHz,0.25V	DCR (mΩmax)		C(nF Max) @100KHz,0.25V	HI-POT (Vrms)	
	1-6:7-15	1-6	1-6(short7-15)	1-6	7-15	1+6-7	Pri-Sec	Win-Core
TPEIR30-0067SG	5:8	115	60	5.6	15	1.7	500Vac	500Vac

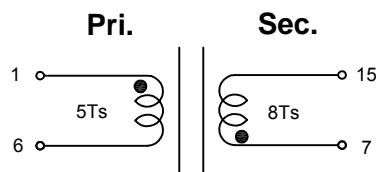
**MECHANICAL DIMENSIONS**



SUGGESTED PAD LAYOUT

● Unless otherwise specified all tolerances are:±0.3 mm

**SCHEMATICS**



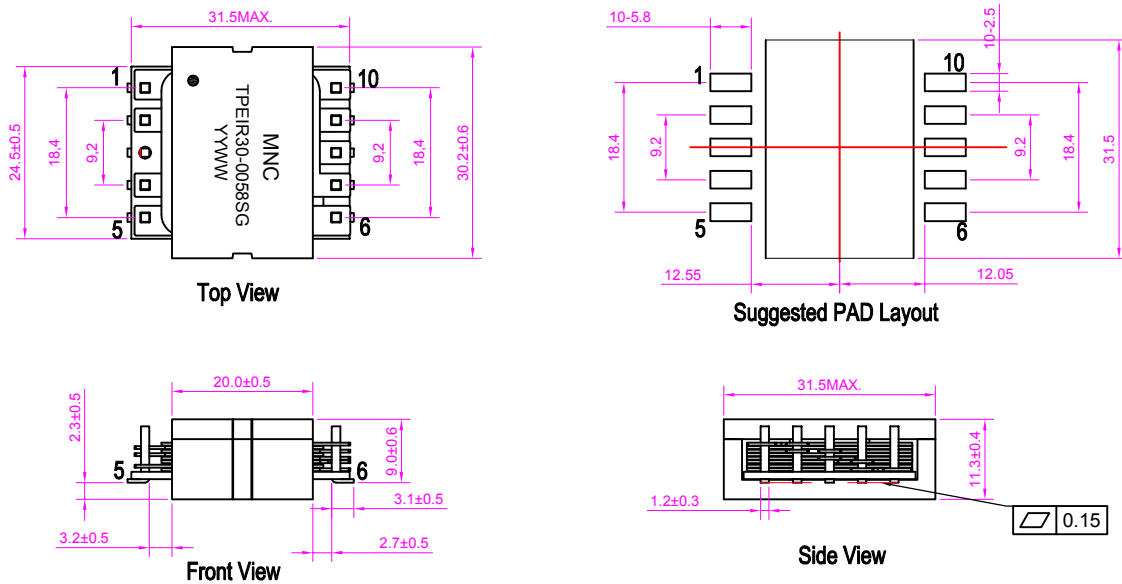
● Start Point

- IEC 62368-1 Compliant.
- RoHS Compliant.
- Surface Mount Device.
- Operating temperature range (Including self temperature rise): -40 °C to +125 °C.



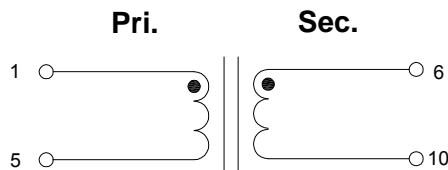
Application									
Output Power (W)	Work Frequency (KHz)	Circuit topology	Input Voltage (V)	Output Voltage (V)	Output Current (A)				
550	200~300	Full bridge	36~60	50	11				
Electrical Specifications @25°C									
Part Number	Turns Ratio (±3%)	OCL(μH±25%) @100KHz,1V	LK(μH max) @100KHz,1.0V	DCR (mΩ max)		HI-POT (Vrms)			Isat
	1-5:6-10	1-5	1-5 (short other pins)	1-5	6-10	Pri-Sec	Pri-Core	Sec-Core	1-5
TPEIR30-0058SG	3:5	45	0.5	2.2	3.6	1500Vdc 1mA/60s	1000Vdc 1mA/60s	500Vdc 1mA/60s	L(1.2A) > L(0A)*70%

**SCHEMATICAL DIMENSIONS**



Unless otherwise specified all tolerances are:±0.3 mm

**SCHEMATICS**



● Start Point

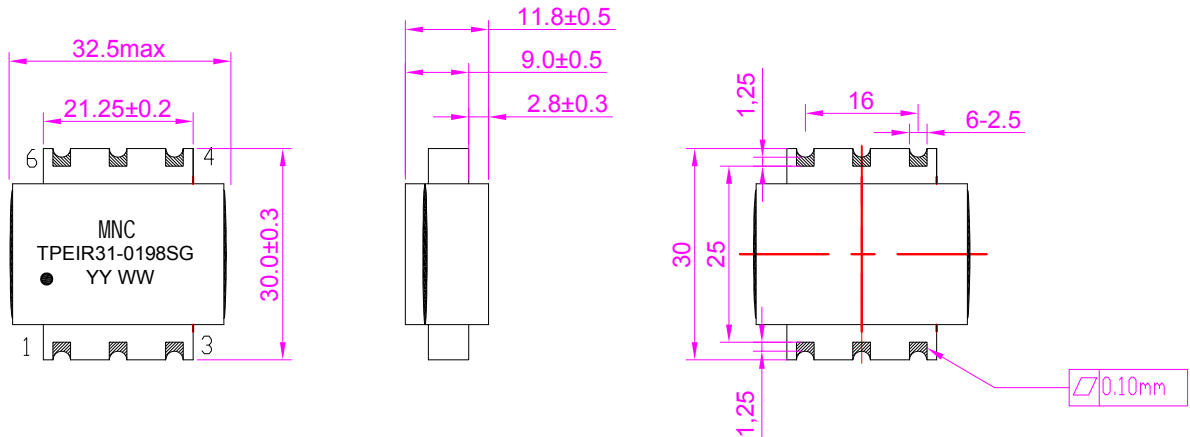
# PLANAR TRANSFORMER

- IEC 62368-1 Compliant.
- RoHS Compliant.
- Surface Mount Device.
- Operating temperature range (Including self temperature rise): -40 °C to +125 °C.



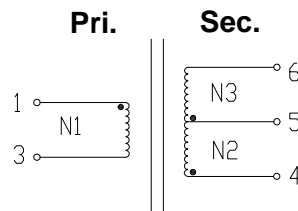
Application								
Output Power (W)	Work Frequency (KHz)	Circuit topology	Input Voltage (V)	Output Voltage (V)	Output Current (A)			
700	200	Full bridge	36~56	50	15			
Electrical Specifications @25°C								
Part Number	Turns Ratio(±3%)	OCL(uH±35%) @200KHz,1.0V	LK(nH Max) @200KHz,1.0V	DCR (mΩmax)			HI-POT (Vrms)	
	1-3:4-5:5-6	1-3	1-3((short4-5-6)	1-3	4-5	5-6	Pri-Sec	Wdgs-Core
TPEIR31-0198SG	3:5:5	60	80	2.5	9.5	9.5	1500Vdc	500Vdc

## MECHANICAL DIMENSIONS



● Unless otherwise specified all tolerances are:±0.3 mm

## SCHEMATICS



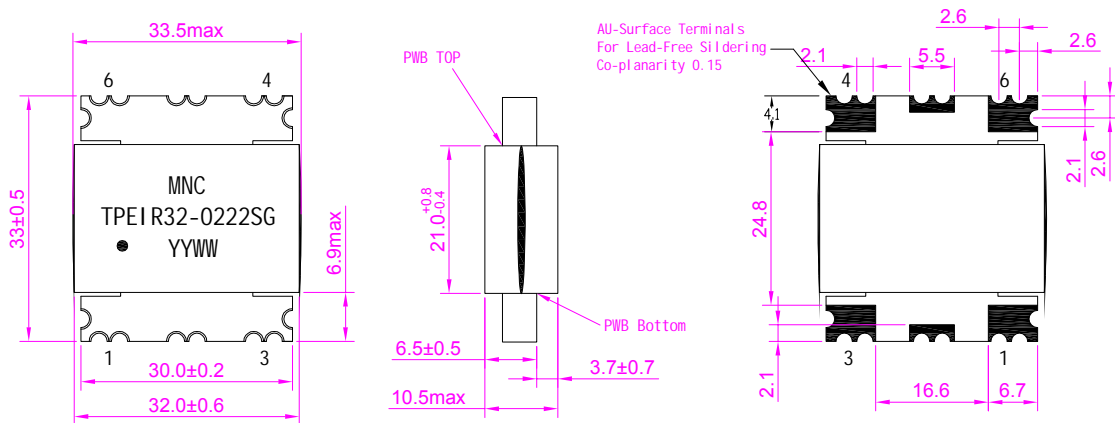
● Start Point

- IEC 62368-1 Compliant.
- RoHS Compliant.
- Surface Mount Device.
- Operating temperature range (Including self temperature rise): -40 °C to +125 °C.



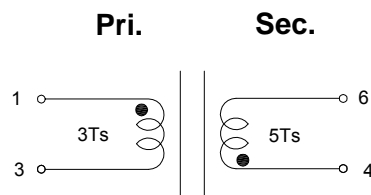
Application							
Output Power (W)	Work Frequency (KHz)	Circuit topology	Input Voltage (V)	Output Voltage (V)	Output Current (A)		
800	300	Full bridge	36~57	48	20		
Electrical Specifications @25°C							
Part Number	Turns Ratio(±3%)	OCL( $\mu\text{H}\pm 35\%$ ) @200KHz,1V	LK(nH max) @200KHz,1.0V	DCR (mΩ max)			HI-POT (Vrms)
	1-3:4-6	1-3	1-3 (short other pins)	1-3	4-6	/	Pri-Sec
TPEIR32-0222SG	3:5	60	50	2.5	5.5	/	500Vdc

**SCHEMATICAL DIMENSIONS**



Unless otherwise specified all tolerances are:±0.3 mm

**SCHEMATICS**



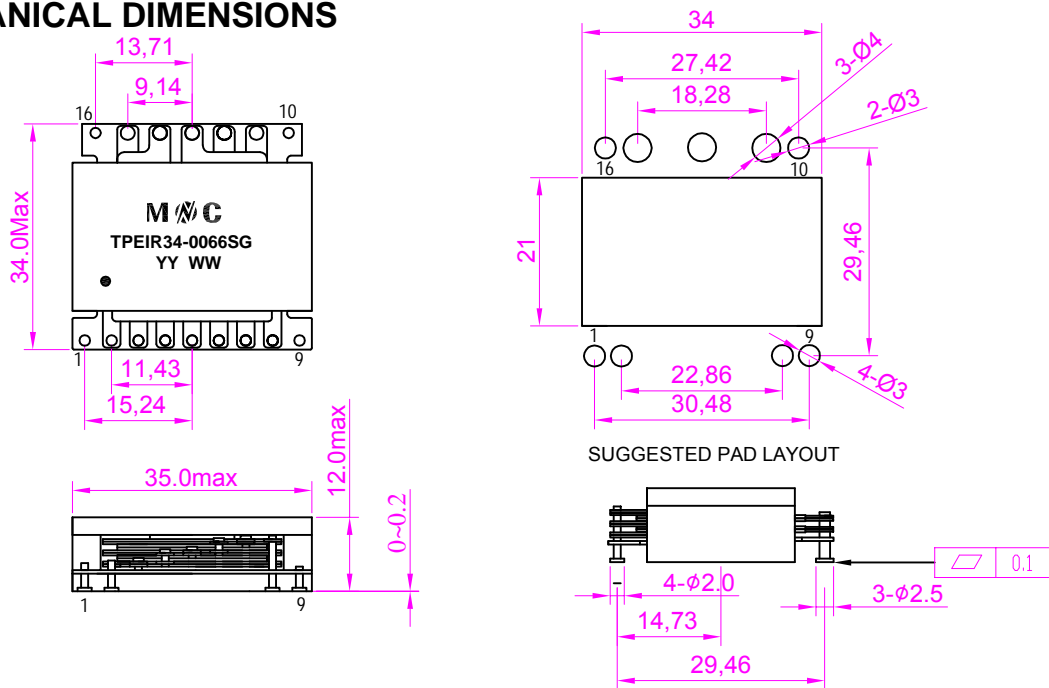
● Start Point

- IEC 62368-1 Compliant.
- RoHS Compliant.
- Surface Mount Device.
- Operating temperature range (Including self temperature rise): -40 °C to +125 °C.



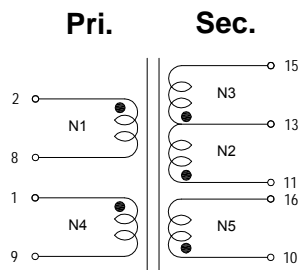
Application							
Output Power (W)	Work Frequency (KHz)	Circuit topology	Input Voltage (V)	Output Voltage (V)	Output Current (A)		
400	300	Full bridge	36~65	10.8	38		
Electrical Specifications @25°C							
Part Number	Turns Ratio(±3%)	OCL(μH±8%) @100KHz,1V	LK(μH Max) @100KHz,1.0V	DCR (mΩmax)		HI-POT (Vrms)	
	2-8:11-13:13-15:1-9:10-16	2-8	2-8(short11,13,15)	2-8	11-13	13-15	Pri-Sec
TPEIR34-0066SG	6:2:2:2	20	0.13	6.0	2.5	2.5	DC1500V 1mA 60S

**MECHANICAL DIMENSIONS**



● Unless otherwise specified all tolerances are:±0.3 mm

**SCHEMATICS**



● Start Point

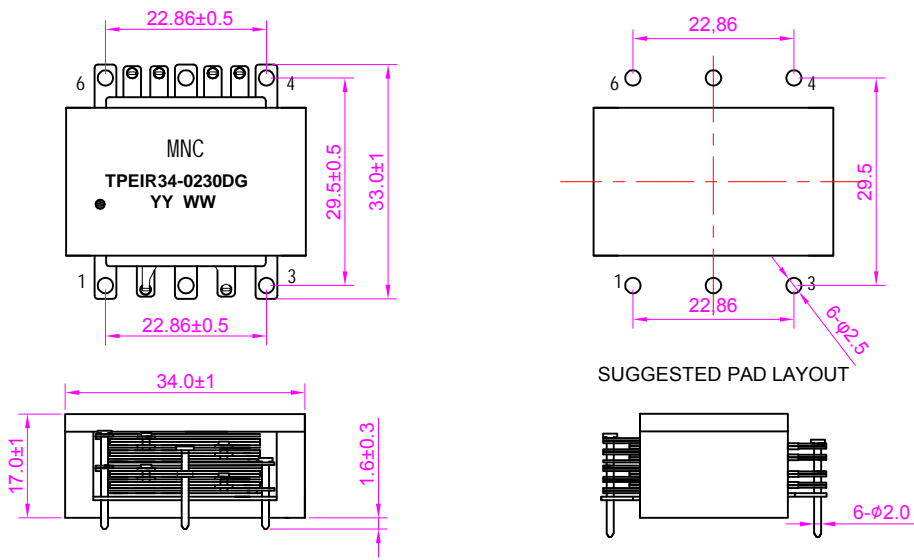


- IEC 62368-1 Compliant.
- RoHS Compliant.
- Operating temperature range (Including self temperature rise): -40 °C to +125 °C.



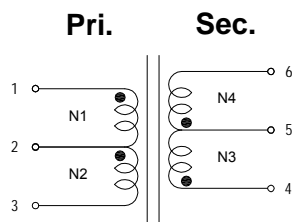
Application							
Output Power (W)	Work Frequency (KHz)	Circuit topology	Input Voltage (V)	Output Voltage (V)	Output Current (A)		
1200	200	Full bridge	36~57	48	25		
Electrical Specifications @25°C							
Part Number	Turns Ratio(±3%)	OCL(uH±20%) @100KHz,1V	LK(uH max) @100KHz,1.0V	DCR (mΩ max)			HI-POT (Vrms)
	1-2:2-3:4-5:5-6	1-3	1-3	1-3	4-5	5-6	Pri-Sec
TPEIR34-0230DG	2:2:4:4	24	0.12	2.0	2.0	2.0	DC1500V 1mA 60S

**SCHEMATICAL DIMENSIONS**



Unless otherwise specified all tolerances are:±0.3 mm

**SCHEMATICS**



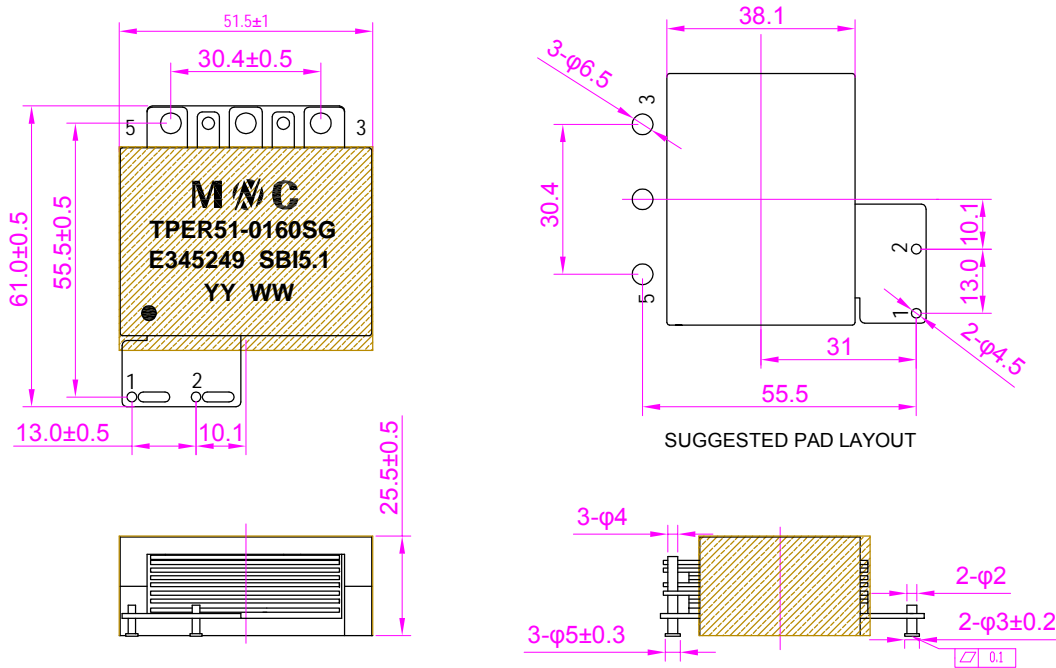
● Start Point

- IEC 62368-1 Compliant.
- RoHS Compliant.
- Surface Mount Device.
- Operating temperature range (Including self temperature rise): -40 °C to +125 °C.

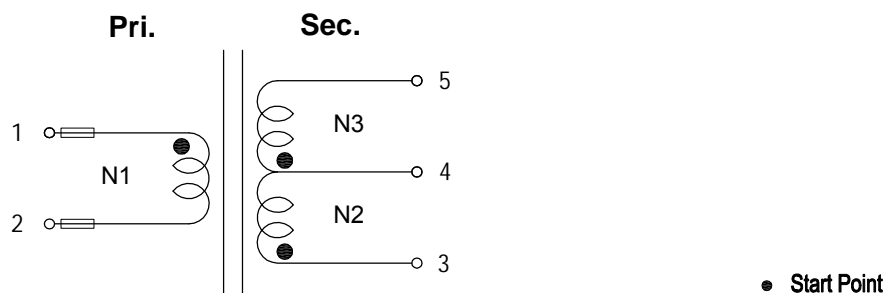


Application							
Output Power (W)	Work Frequency (KHz)	Circuit topology	Input Voltage (V)	Output Voltage (V)	Output Current (A)		
1000~1500	100~150	LLC	380~400	54	28		
Electrical Specifications @25℃							
Part Number	Turns Ratio(±3%)	OCL(μH±10%) @100KHz, 1V	LK(μH Max) @100KHz, 1.0V	DCR (mΩmax)			HI-POT (Vrms)
	1-2:3-4:4-5	1-2	1-2(short others)	1-2	3-4	4-5	Pri-Sec
TPER51-0160SG	7:2:2	100	0.25	7.0	1.0	1.0	AC3000V 1mA 60S

MECHANICAL DIMENSIONS



SCHEMATICS

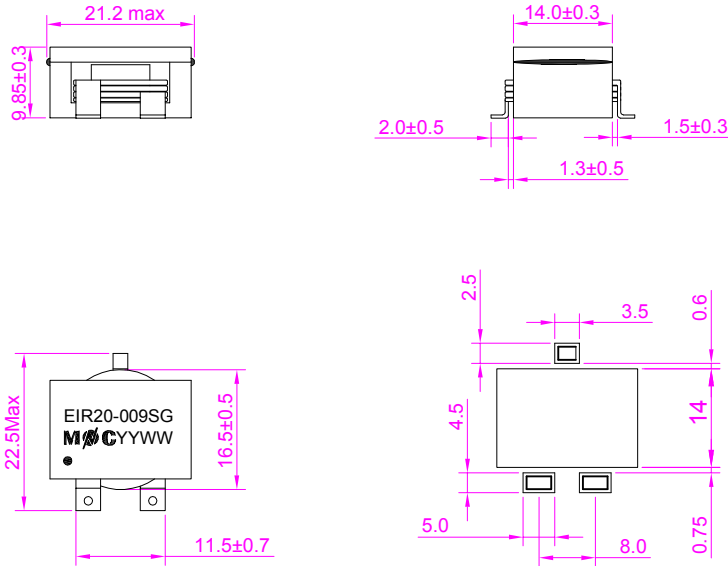




- IEC 62368-1 Compliant.
- RoHS Compliant.
- Surface Mount Device.
- Operating temperature range (Including self temperature rise): -40 °C to +125°C.

Electrical Specifications @25 °C				
Part Number	L(μH ±10%) @100KHz,1Vac	DCR (mΩ max)	Isat (A)	Irms (A)
		1-2	1-2	1-2
EIR20-009SG	6.5	5.5	25	13

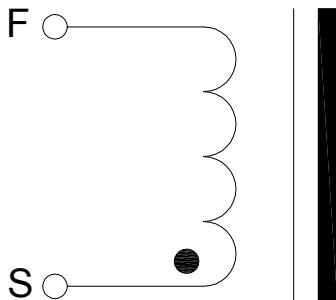
**SCHEMATICS DIMENSIONS**



SUGGESTED PAD LAYOUT

Unless otherwise specified all tolerances are:±0.3 mm

**SCHEMATICS**



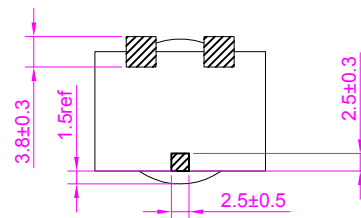
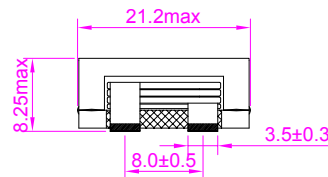
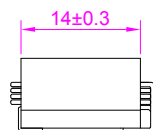
\* Isat \*1 : DC current(A)that will Cause Lo to Drop approximately 30%.  
 \* Temp.Rise Current\*2: DC current(A)that will cause an Approximate ΔT of 55°C .

- IEC 62368-1 Compliant.
- RoHS Compliant.
- Surface Mount Device.
- Operating temperature range (Including self temperature rise): -40 °C to +125°C.



Electrical Specifications @25 °C				
Part Number	L(μH ±10%) @100KHz,1Vac	DCR (mΩ max)	Isat (A)	Irms (A)
		1-2	1-2	1-2
EIR20-015SG	1.8	2.5	36	18

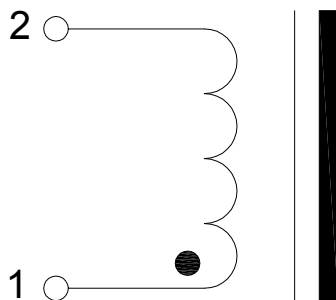
**SCHEMATICAL DIMENSIONS**



SUGGESTED PAD LAYOUT

Unless otherwise specified all tolerances are:±0.3 mm

**SCHEMATICS**



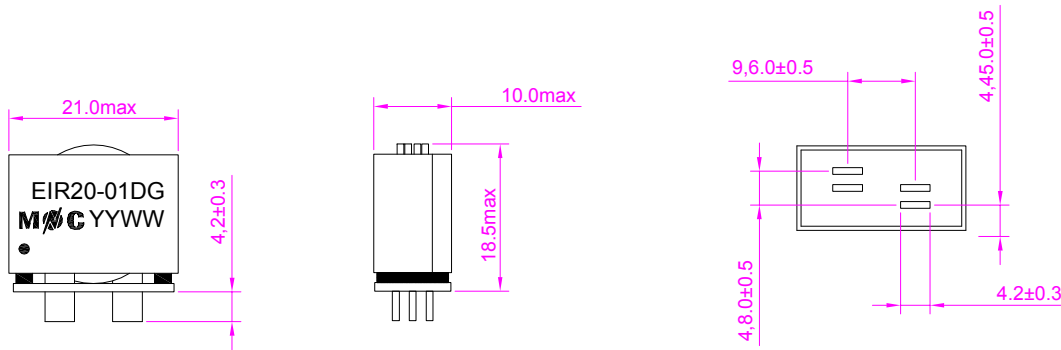
\* Isat \*1 : DC current(A)that will Cause Lo to Drop approximately 30%.  
 \* Temp.Rise Current\*2: DC current(A)that will cause an Approximate ΔT of 55°C .

- IEC 62368-1 Compliant.
- RoHS Compliant.
- Storage temperature: -40 °C to +125 °C.
- Operating temperature range (Including self temperature rise): -40 °C to +125 °C.



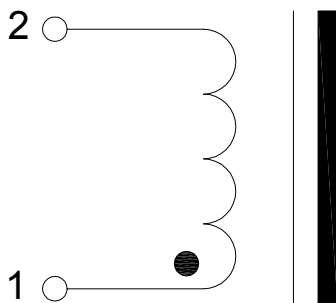
Electrical Specifications @25 °C				
Part Number	L(μH ±12%) @100KHz,1Vac	DCR (mΩ max)	Isat (A)	Irms (A)
		1-2	1-2	1-2
EIR20-01DG	0.5	1.0	70	55

SCHEMATICAL DIMENSIONS



Unless otherwise specified all tolerances are:±0.3 mm

SCHEMATICS



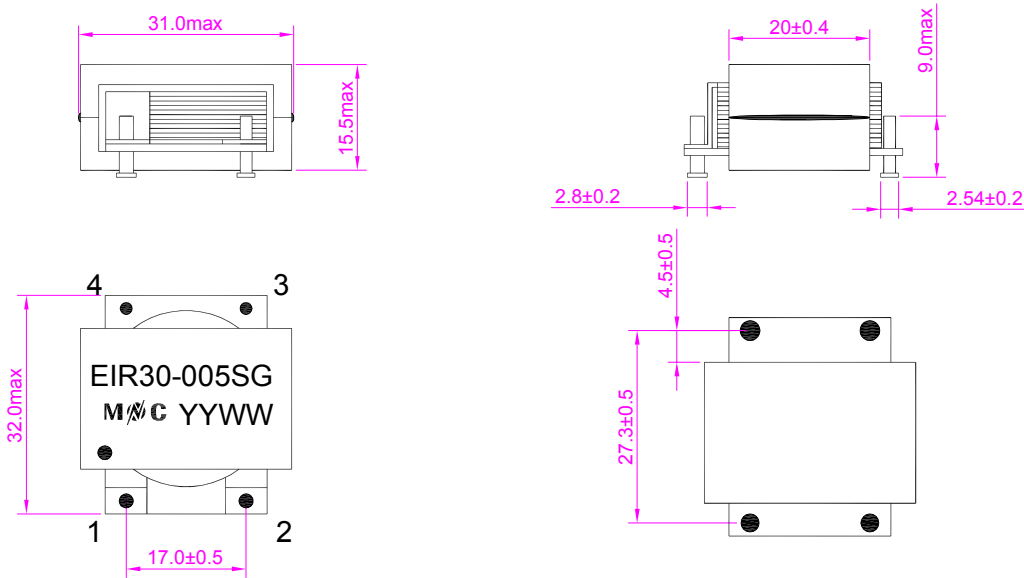
\* Isat \*1 : DC current(A)that will Cause Lo to Drop approximately 30%.  
 \* Temp.Rise Current\*2: DC current(A)that will cause an Approximate ΔT of 55°C .

- IEC 62368-1 Compliant.
- RoHS Compliant.
- Surface Mount Device.
- Operating temperature range (Including self temperature rise): -40 °C to +125°C.



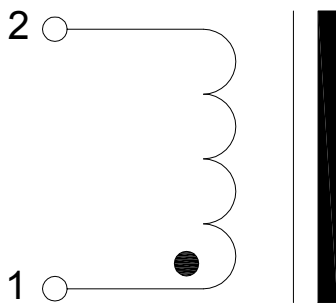
Electrical Specifications @25 °C				
Part Number	L(μH ±10%) @100KHz,1Vac	DCR (mΩ max)	Isat (A)	Irms (A)
		1-2	1-2	1-2
EIR-005SG	23.0	8	20	20

SCHEMATICAL DIMENSIONS



Unless otherwise specified all tolerances are:±0.3 mm

SCHEMATICS



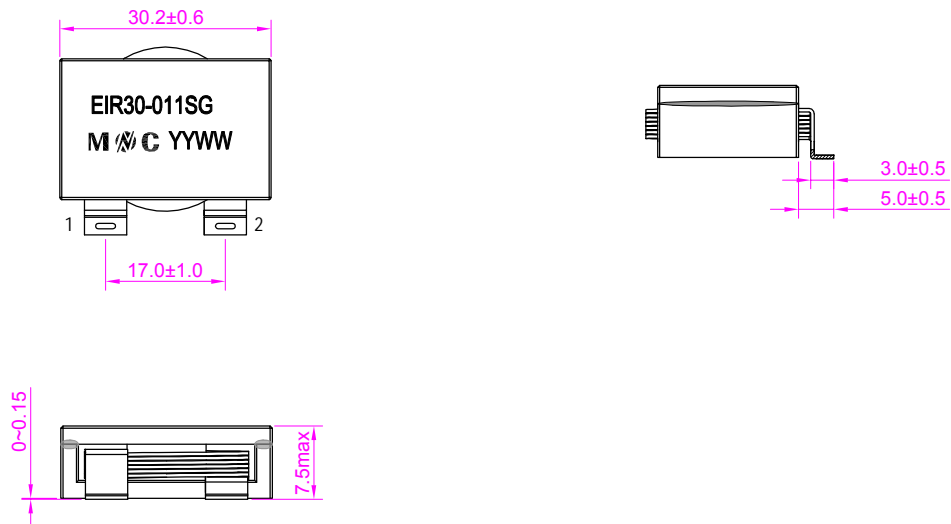
\* Isat \*1 : DC current(A)that will Cause Lo to Drop approximately 30%.  
 \* Temp.Rise Current\*2: DC current(A)that will cause an Approximate ΔT of 55°C .

- IEC 62368-1 Compliant.
- RoHS Compliant.
- Surface Mount Device.
- Operating temperature range (Including self temperature rise): -40 °C to +125°C.



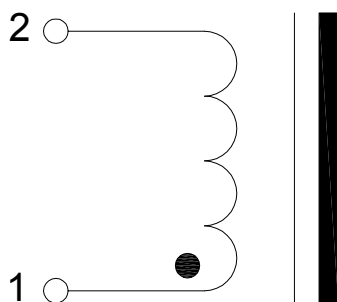
Electrical Specifications @25 °C				
Part Number	L(μH ±10%) @100KHz,1Vac	DCR (mΩ max)	Isat (A)	Irms (A)
		1-2	1-2	1-2
EIR30-011SG	7.0	4.0	30	30

SCHEMATICAL DIMENSIONS



Unless otherwise specified all tolerances are:±0.3 mm

SCHEMATICS



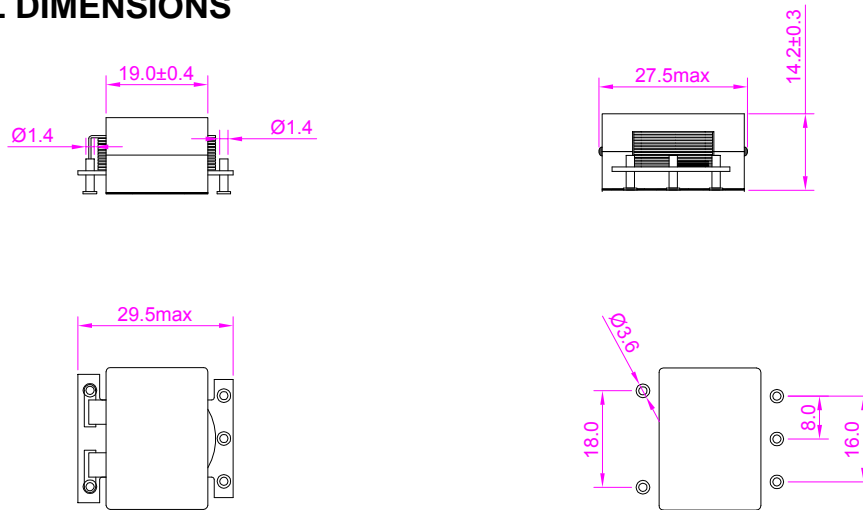
\* Isat \*1 : DC current(A)that will Cause Lo to Drop approximately 30%.  
 \* Temp.Rise Current\*2: DC current(A)that will cause an Approximate ΔT of 55°C .

- IEC 62368-1 Compliant.
- RoHS Compliant.
- Surface Mount Device.
- Operating temperature range (Including self temperature rise): -40 °C to +125°C.



Electrical Specifications @25 °C				
Part Number	L(μH ±13%) @100KHz,0.25Vac	DCR (mΩ max)	Isat (A)	Irms (A)
	1-2	1-2	1-2	1-2
EER25-003SG	30	10	40	22

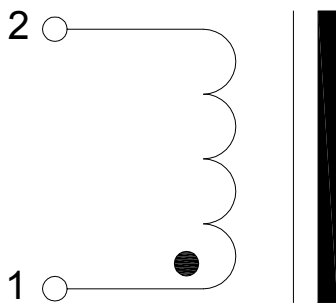
SCHEMATICAL DIMENSIONS



SUGGESTED PAD LAYOUT

Unless otherwise specified all tolerances are:±0.3 mm

SCHEMATICS



\* Isat \*1 : DC current(A)that will Cause Lo to Drop approximately 30%.  
 \* Temp.Rise Current\*2: DC current(A)that will cause an Approximate ΔT of 55°C .

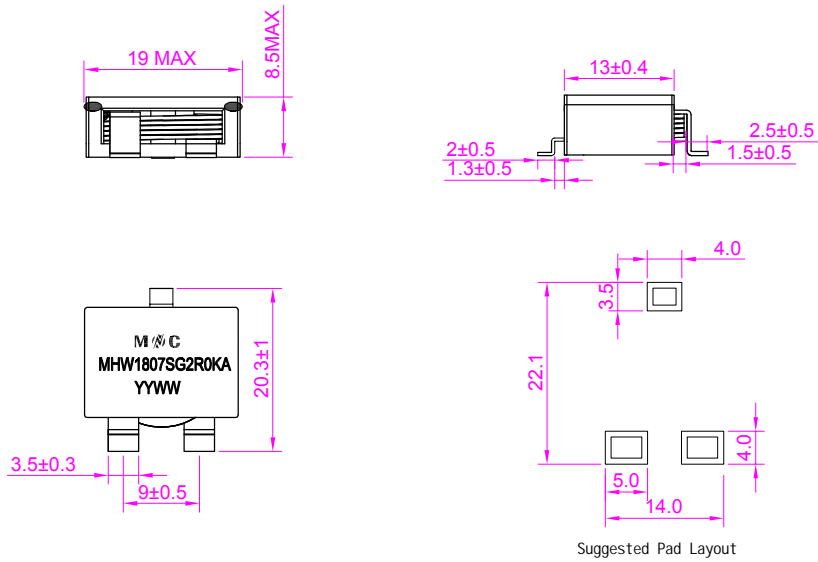


- IEC 62368-1 Compliant.
- RoHS Compliant.
- Surface Mount Device.
- Operating temperature range (Including self temperature rise): -40 °C to +125 °C.



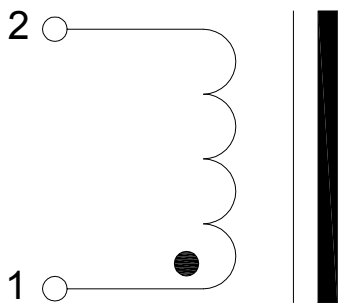
Electrical Specifications @25 °C				
Part Number	L(μH ±10%) @100KHz, 1Vac	DCR (mΩ max)	Isat (A)	Irms (A)
		1-2	1-2	1-2
MHW1807SG2R0KA	2.0	3.0	32	25

SCHEMATICAL DIMENSIONS



Unless otherwise specified all tolerances are:±0.3 mm

SCHEMATICS



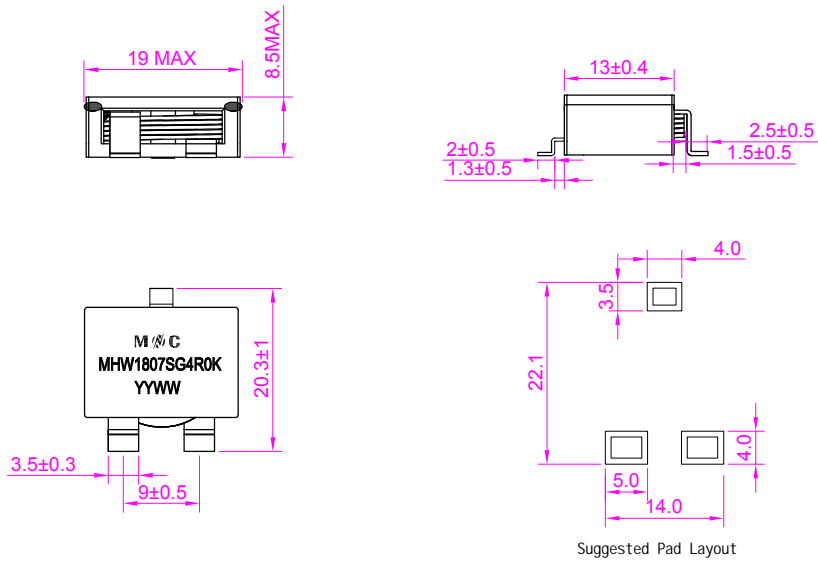
\* Isat \*1 : DC current(A)that will Cause Lo to Drop approximately 30%.  
 \* Temp.Rise Current\*2: DC current(A)that will cause an Approximate ΔT of 55°C .

- IEC 62368-1 Compliant.
- RoHS Compliant.
- Surface Mount Device.
- Operating temperature range (Including self temperature rise): -40 °C to +125 °C.



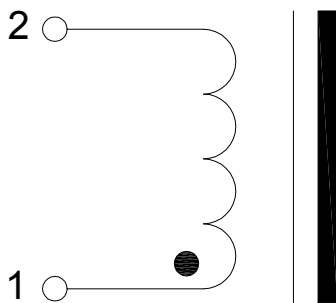
Electrical Specifications @25 °C				
Part Number	L(μH ±10%) @100KHz, 1Vac	DCR (mΩ max)	Isat (A)	Irms (A)
		1-2	1-2	1-2
MHW1807SG4R0K	4.0	3.0	18	14

SCHEMATICAL DIMENSIONS



Unless otherwise specified all tolerances are:±0.3 mm

SCHEMATICS



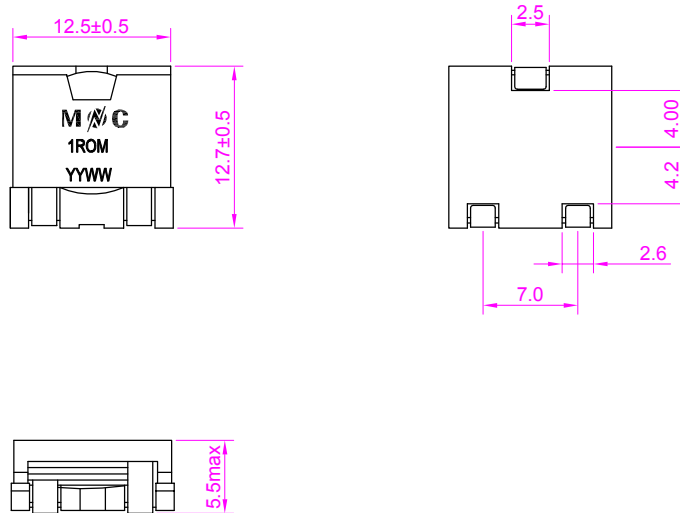
\* Isat \*1 : DC current(A)that will Cause Lo to Drop approximately 30%.  
 \* Temp.Rise Current\*2: DC current(A)that will cause an Approximate ΔT of 55°C .

- IEC 62368-1 Compliant.
- RoHS Compliant.
- Surface Mount Device.
- Operating temperature range (Including self temperature rise): -40 °C to +125°C.



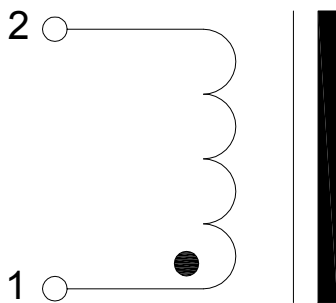
Electrical Specifications @25 °C				
Part Number	L(μH ±20%) @100KHz,1Vac	DCR (mΩ max)	Isat (A)	Irms (A)
		1-2	1-2	1-2
MCEP125SG1R0M	1.0	2.5	20	16.5

SCHEMATICAL DIMENSIONS



Unless otherwise specified all tolerances are:±0.30 mm

SCHEMATICS



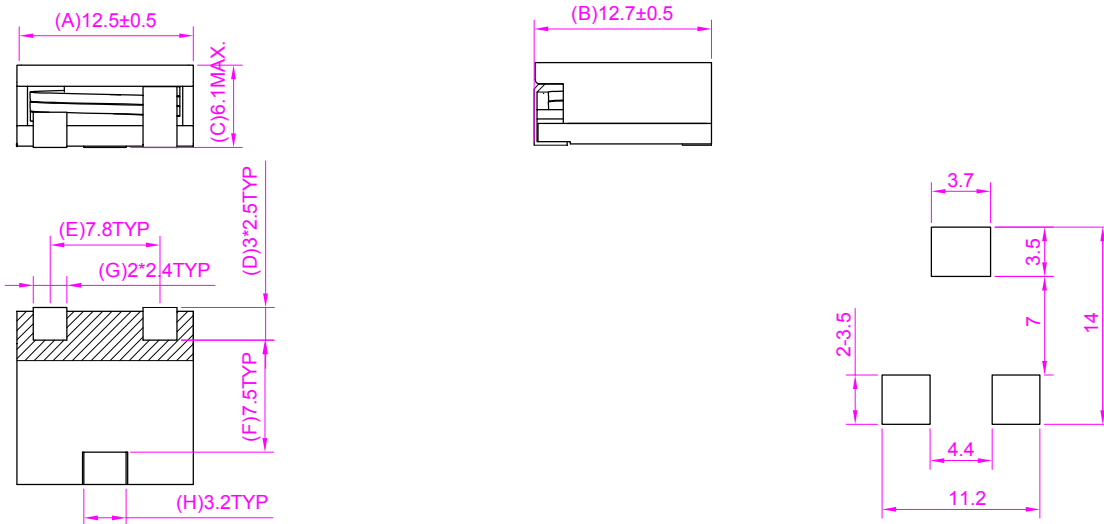
\* Isat \*1 : DC current(A)that will Cause Lo to Drop approximately 30%.  
 \* Temp.Rise Current\*2: DC current(A)that will cause an Approximate ΔT of 55°C .

- IEC 62368-1 Compliant.
- RoHS Compliant.
- Surface Mount Device.
- Operating temperature range (Including self temperature rise): -40 °C to +125°C.



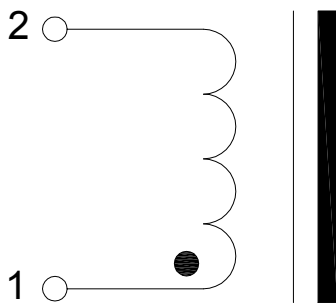
Electrical Specifications @25 °C				
Part Number	L(μH ±20%) @100KHz,1Vac	DCR (mΩ max)	Isat (A)	Irms (A)
		1-2	1-2	1-2
MHW1306SG1R0M	1.0	1.18	30	20

SCHEMATICAL DIMENSIONS



Unless otherwise specified all tolerances are:±0.3 mm

SCHEMATICS



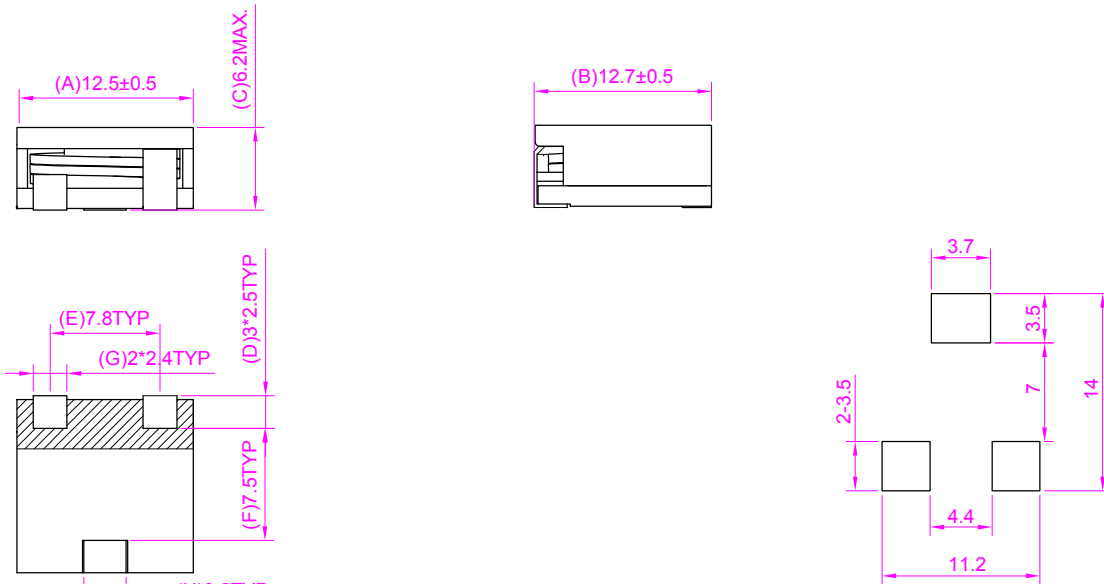
\* Isat \*1 : DC current(A)that will Cause Lo to Drop approximately 30%.  
 \* Temp.Rise Current\*2: DC current(A)that will cause an Approximate ΔT of 55°C .

- RoHS Compliant.
- Termination finished: Sn-0.7Cu.
- Storage temperature range : -40 °C to +125°C.
- Operate temperature range: -40 °C to +125°C (including self-temperature rise)



Electrical Specifications @25 °C				
Part Number	L(μH ±20%) @100KHz,1Vac	DCR (mΩ max)	Isat(A)	Irms (A)
		1-2	1-2	1-2
MHW1306SGR60M	0.6	0.7	35	25

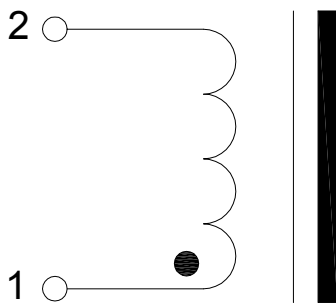
**SCHEMATICAL DIMENSIONS**



SUGGESTED PAD LAYOUT

Unless otherwise specified all tolerances are:±0.3 mm

**SCHEMATICS**



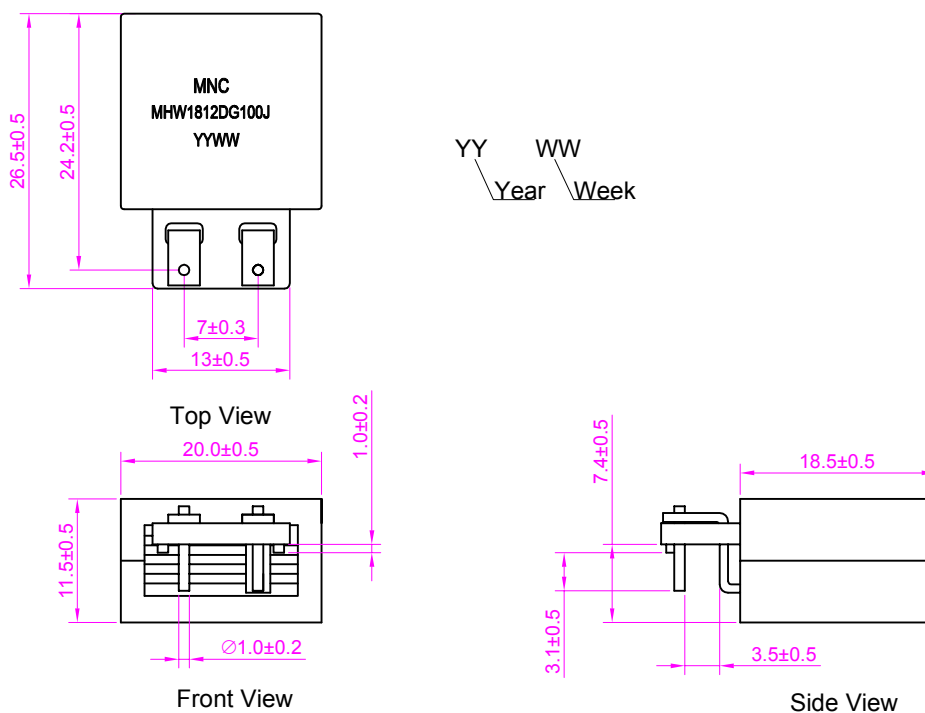
\* Isat \*1 : DC current(A)that will Cause Lo to Drop approximately 30%.  
 \* Temp.Rise Current\*2: DC current(A)that will cause an Approximate ΔT of 55°C .

- RoHS Compliant.
- Termination finished: Sn-0.7Cu.
- Storage temperature range : -40 °C to +125°C.
- Operate temperature range: -40 °C to +125°C (including self-temperature rise)



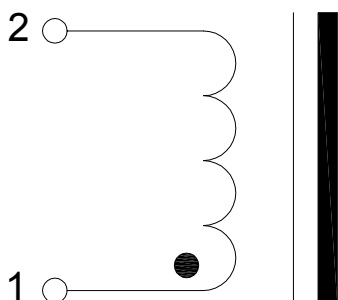
Electrical Specifications @25 °C				
Part Number	L(μH ±8%) @100KHz,1Vac	DCR (mΩ max)	Isat(A)	Irms (A)
		1-2	1-2	1-2
MHW1812DG100J	10	4.0	17	15

**SCHEMATICAL DIMENSIONS**



Unless otherwise specified all tolerances are:±0.3 mm

**SCHEMATICS**



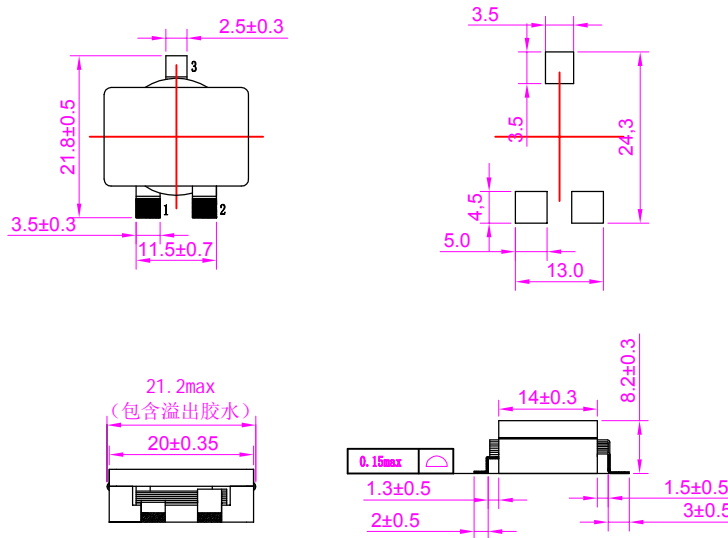
\* Isat \*1 : DC current(A)that will Cause Lo to Drop approximately 30%.  
 \* Temp.Rise Current\*2: DC current(A)that will cause an Approximate ΔT of 55°C .

- IEC 62368-1 Compliant.
- RoHS Compliant.
- Surface Mount Device.
- Operating temperature range (Including self temperature rise): -40 °C to +125 °C.



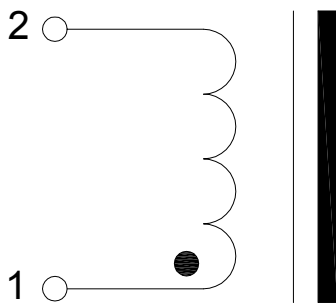
Electrical Specifications @25 °C				
Part Number	L(μH ±10%) @100KHz,1Vac	DCR (mΩ max)	Isat (A)	Irms (A)
		1-2	1-2	1-2
MHW2009SG7R0KA	7.0	7.0	18	7

**SCHEMATICAL DIMENSIONS**



Unless otherwise specified all tolerances are:±0.3 mm

**SCHEMATICS**



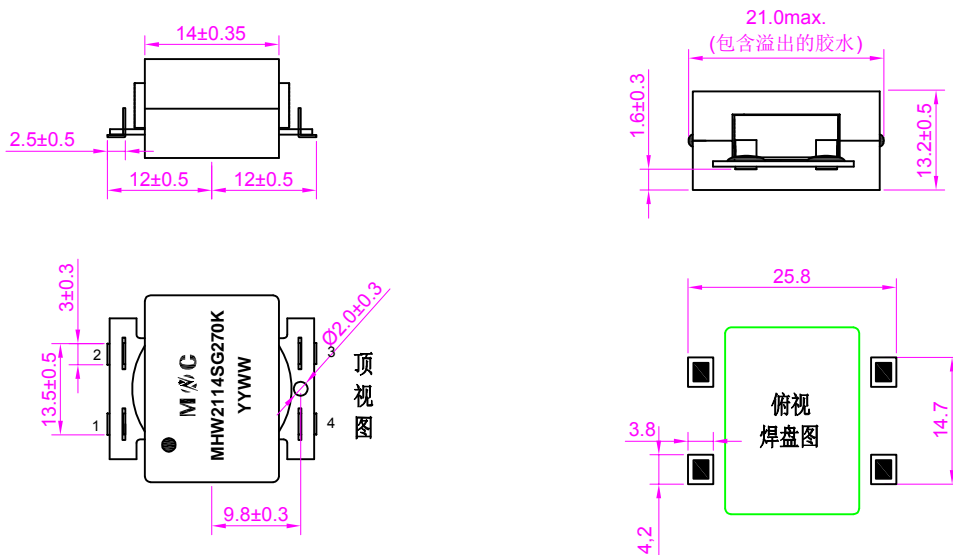
\* Isat \*1 : DC current(A)that will Cause Lo to Drop approximately 30%.  
 \* Temp.Rise Current\*2: DC current(A)that will cause an Approximate ΔT of 55°C .

- IEC 62368-1 Compliant.
- RoHS Compliant.
- Operating temperature range (Including self temperature rise): -40 °C to +125 °C.



Electrical Specifications @25 °C				
Part Number	L(μH ±7%) @100KHz,1Vac	DCR (mΩ max)	Isat (A)	Irms (A)
		1-2	1-2	1-2
MHW2114SG270K	23.5	50	10	3.6

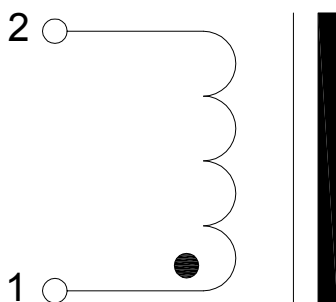
SCHEMATICAL DIMENSIONS



SUGGESTED PAD LAYOUT

Unless otherwise specified all tolerances are:±0.3 mm

SCHEMATICS



\* Isat \*1 : DC current(A)that will Cause Lo to Drop approximately 30%.  
 \* Temp.Rise Current\*2: DC current(A)that will cause an Approximate ΔT of 55°C .

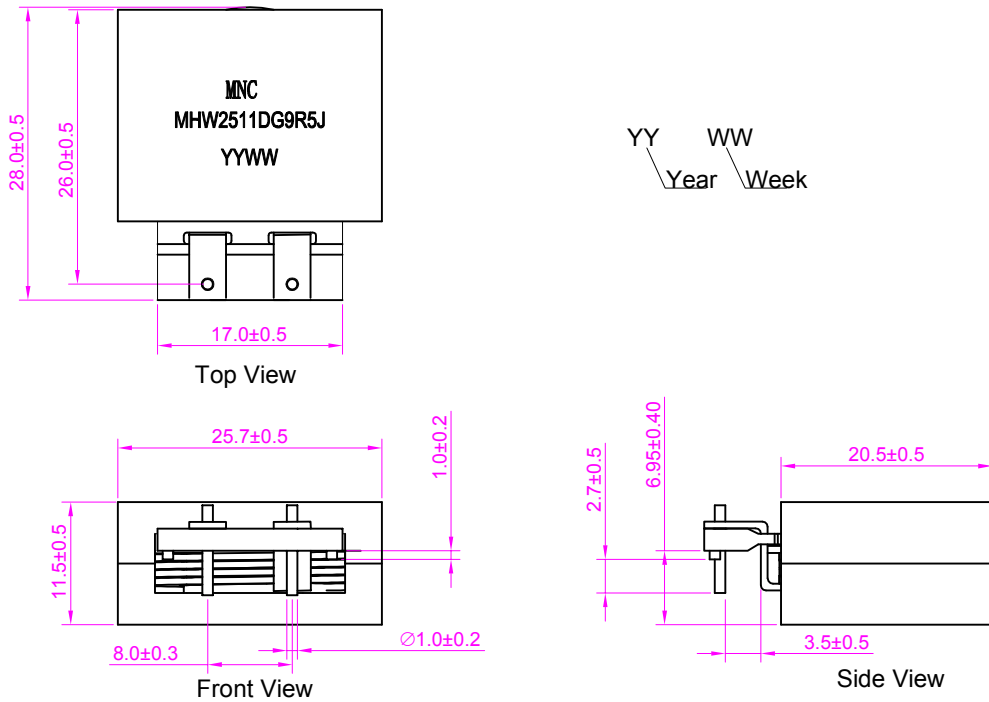


- IEC 62368-1 Compliant.
- RoHS Compliant.
- Storage temperature: -40°C to +125°C.
- Operating temperature range (Including self temperature rise): -40 °C to +125°C.



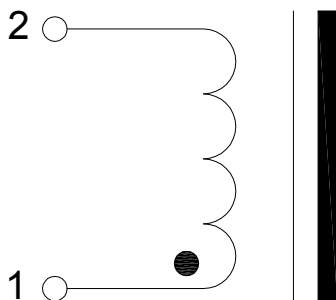
Electrical Specifications @25 °C				
Part Number	L(μH ±5%) @100KHz,1Vac	DCR (mΩ max)	Isat (A)	Irms (A)
		1-2	1-2	1-2
MHW2511DG9R5J	9.5	4.0	21	15

**SCHEMATICAL DIMENSIONS**



Unless otherwise specified all tolerances are:±0.3 mm

**SCHEMATICS**



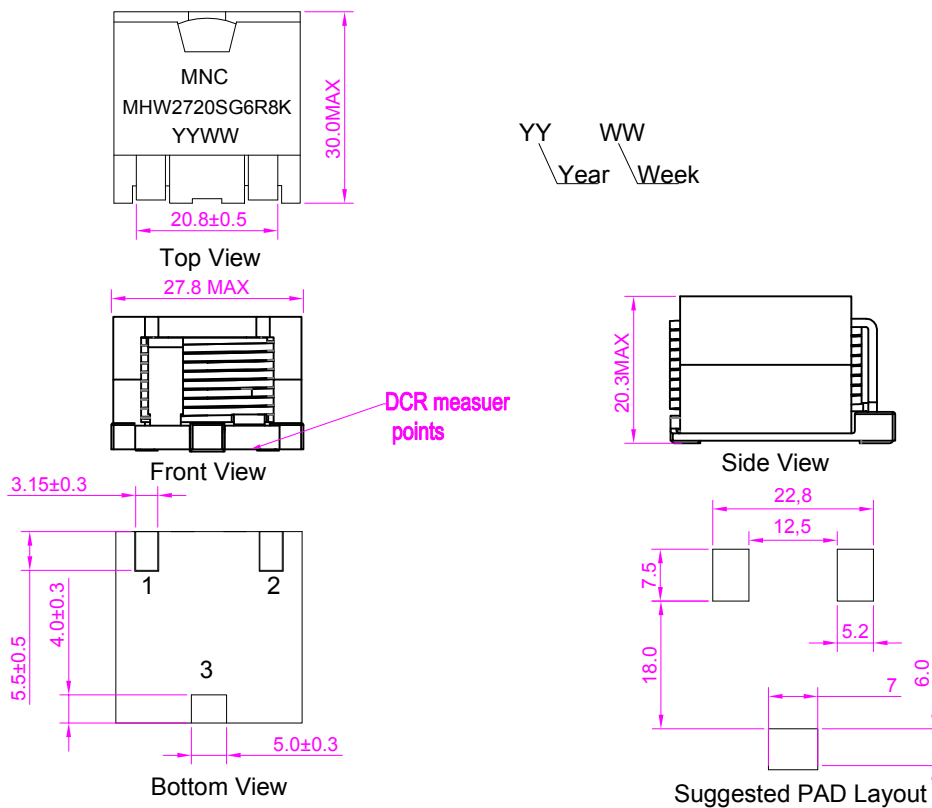
\* Isat \*1 : DC current(A)that will Cause Lo to Drop approximately 30%.  
 \* Temp.Rise Current\*2: DC current(A)that will cause an Approximate ΔT of 55°C.

- IEC 62368-1 Compliant.
- RoHS Compliant.
- Surface Mount Device.
- Operating temperature range (Including self temperature rise): -40 °C to +125°C.



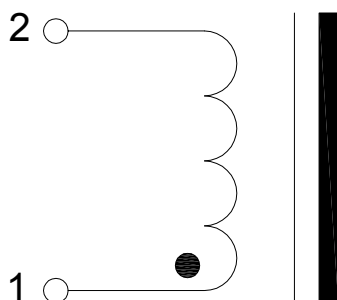
Electrical Specifications @25 °C				
Part Number	L(μH ±10%) @100KHz,1Vac	DCR (mΩ max)	Isat (A)	Irms (A)
		1-2	1-2	1-2
MHW2720SG6R8K	6.8	2.3	52	35

SCHEMATICAL DIMENSIONS



Unless otherwise specified all tolerances are:±0.3 mm

SCHEMATICS



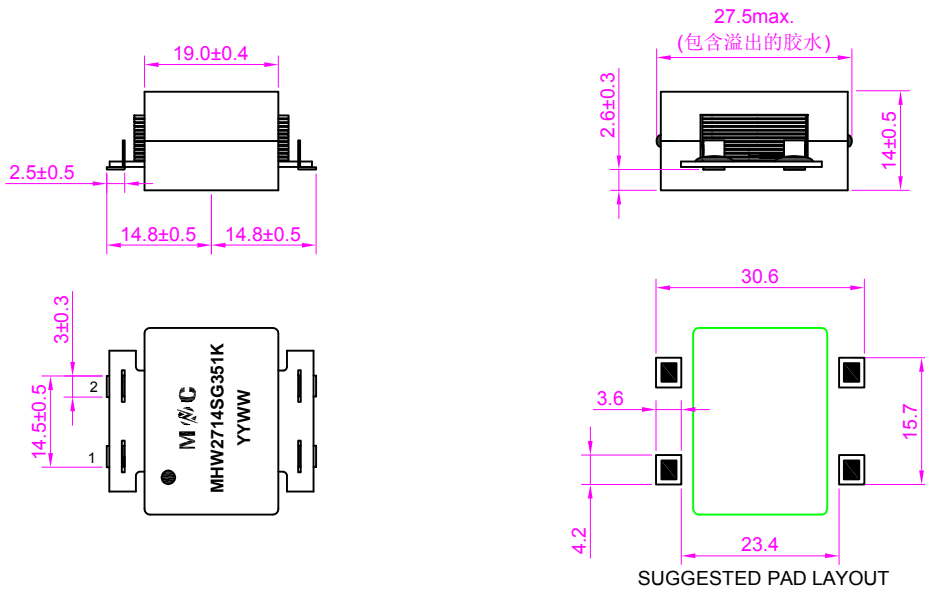
\* Isat \*1 : DC current(A)that will Cause Lo to Drop approximately 30%.  
 \* Temp.Rise Current\*2: DC current(A)that will cause an Approximate ΔT of 55°C.

- IEC 62368-1 Compliant.
- RoHS Compliant.
- Surface Mount Device.
- Operating temperature range (Including self temperature rise): -40 °C to +125°C.



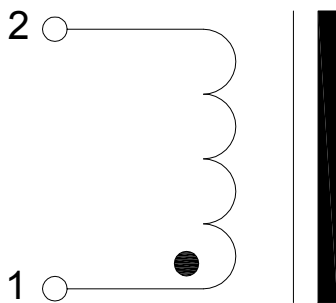
Electrical Specifications @25 °C				
Part Number	L(μH ±13%) @100KHz, 1Vac	DCR (mΩ max)	Isat (A)	Irms (A)
		1-2	1-2	1-2
MHW2714SG351K	240	75	8	4

**SCHEMATICAL DIMENSIONS**



Unless otherwise specified all tolerances are:±0.3 mm

**SCHEMATICS**



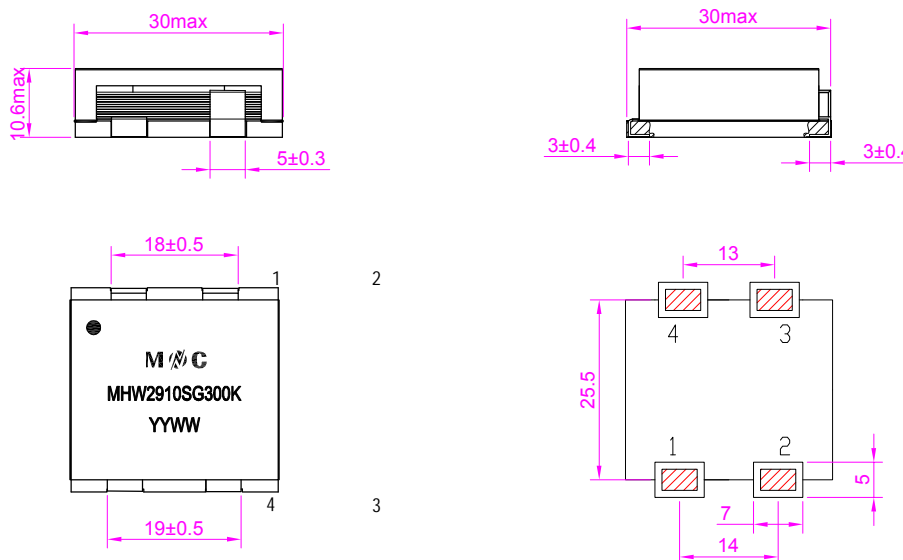
\* Isat \*1 : DC current(A)that will Cause Lo to Drop approximately 30%.  
 \* Temp.Rise Current\*2: DC current(A)that will cause an Approximate ΔT of 55°C .

- IEC 62368-1 Compliant.
- RoHS Compliant.
- Surface Mount Device.
- Operating temperature range (Including self temperature rise): -40 °C to +125°C.



Electrical Specifications @25 °C				
Part Number	L(μH ±10%) @100KHz,1Vac	DCR (mΩ max)	Isat (A)	Irms (A)
		1-2	1-2	1-2
MHW2910SG300K	30	10	40	/

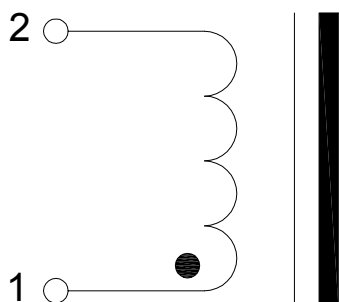
**SCHEMATICAL DIMENSIONS**



SUGGESTED PAD LAYOUT

Unless otherwise specified all tolerances are:±0.3 mm

**SCHEMATICS**



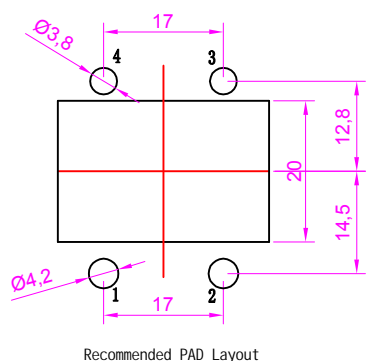
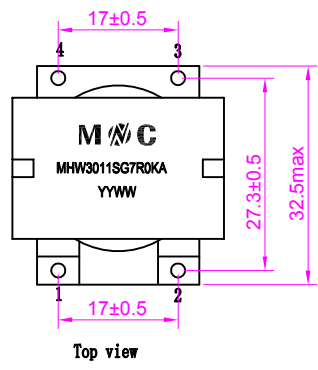
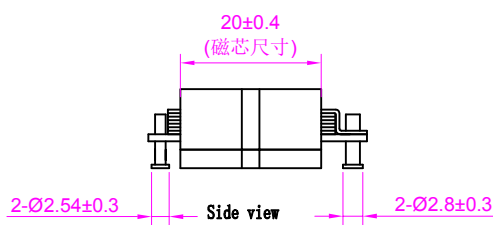
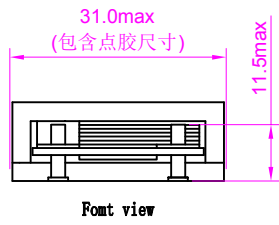
\* Isat \*1 : DC current(A)that will Cause Lo to Drop approximately 30%.  
 \* Temp.Rise Current\*2: DC current(A)that will cause an Approximate ΔT of 55°C .

- IEC 62368-1 Compliant.
- RoHS Compliant.
- Surface Mount Device.
- Operating temperature range (Including self temperature rise): -40 °C to +125 °C.



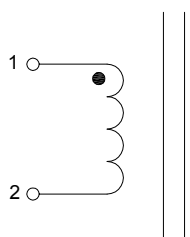
Electrical Specifications @25 °C				
Part Number	L(μH ±10%) @100KHz,1Vac	DCR (mΩ max)	Isat (A)	Irms (A)
		1-2	1-2	1-2
MHW3011SG7R0KA	7.0	4	30	/

SCHEMATICAL DIMENSIONS



Unless otherwise specified all tolerances are:±0.3 mm

SCHEMATICS



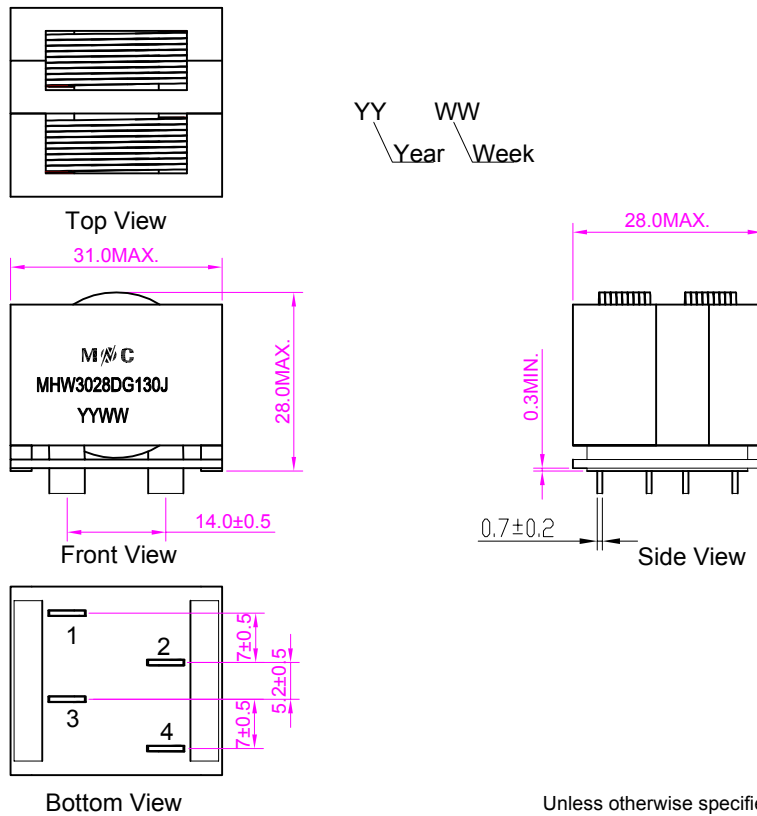
\* Isat \*1 : DC current(A)that will Cause Lo to Drop approximately 30%.  
 \* Temp.Rise Current\*2: DC current(A)that will cause an Approximate ΔT of 55°C .

- IEC 62368-1 Compliant.
- RoHS Compliant.
- Storage temperature: -40°C to +125°C.
- Operating temperature range (Including self temperature rise): -40 °C to +125°C.



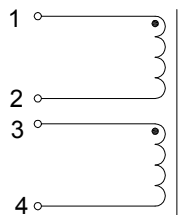
Electrical Specifications @25 °C					
Part Number	L(μH ±13%) @100KHz,1Vac	L(mH min) DC Bias 60A	DCR (mΩ max)	Isat (A)	Irms (A)
	1-2/3-4	1-2/3-4	1-2 /3-4	1-2 /3-4	1-2 /3-4
MHW3028DG130J	15	5.0	3.2	60	25

SCHEMATICAL DIMENSIONS



Unless otherwise specified all tolerances are:±0.3 mm

SCHEMATICS

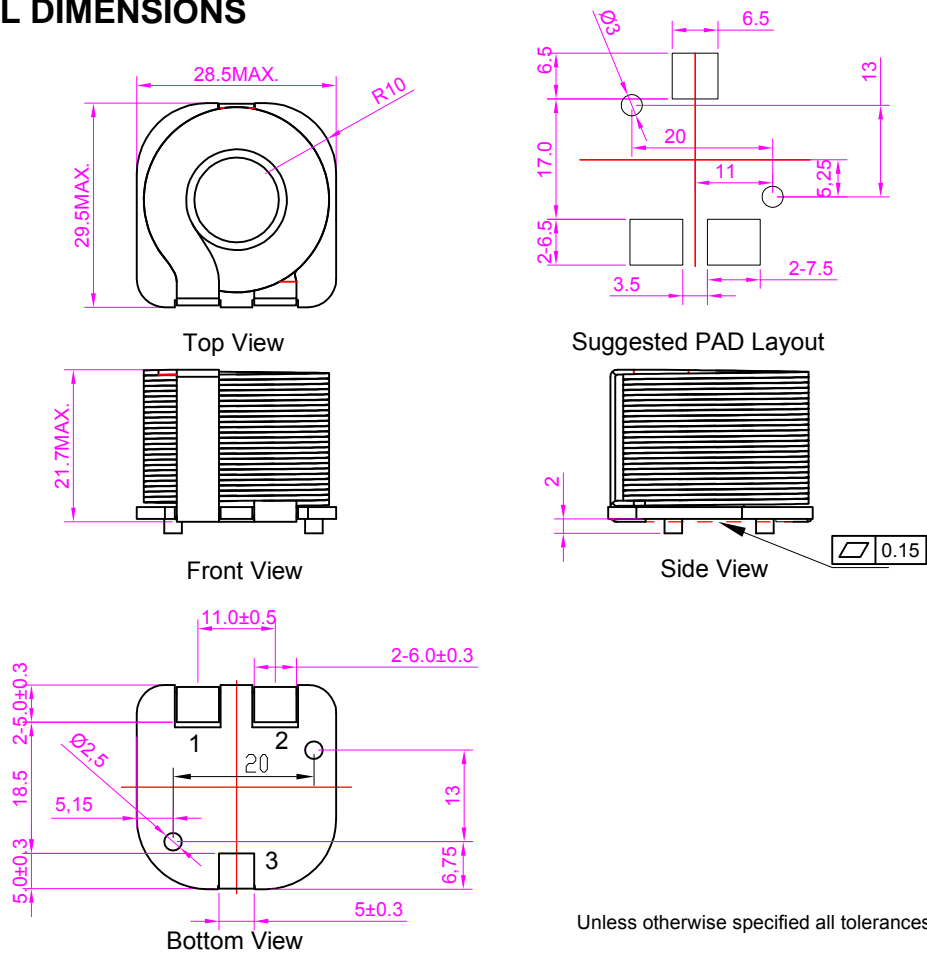


- IEC 62368-1 Compliant.
- RoHS Compliant.
- Surface Mount Device.
- Operating temperature range (Including self temperature rise): -40 °C to +125 °C.



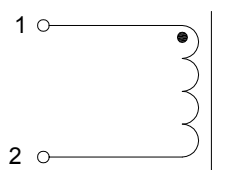
Electrical Specifications @25 °C				
Part Number	L(μH MIN) @10KHz,1Vac	DCR (mΩ max)	Isat (A)	Irms (A)
		1-2	1-2	1-2
MSCB2822SG4R5U	4.5	8.5	/	/

SCHEMATICAL DIMENSIONS



Unless otherwise specified all tolerances are:±0.3 mm

SCHEMATICS

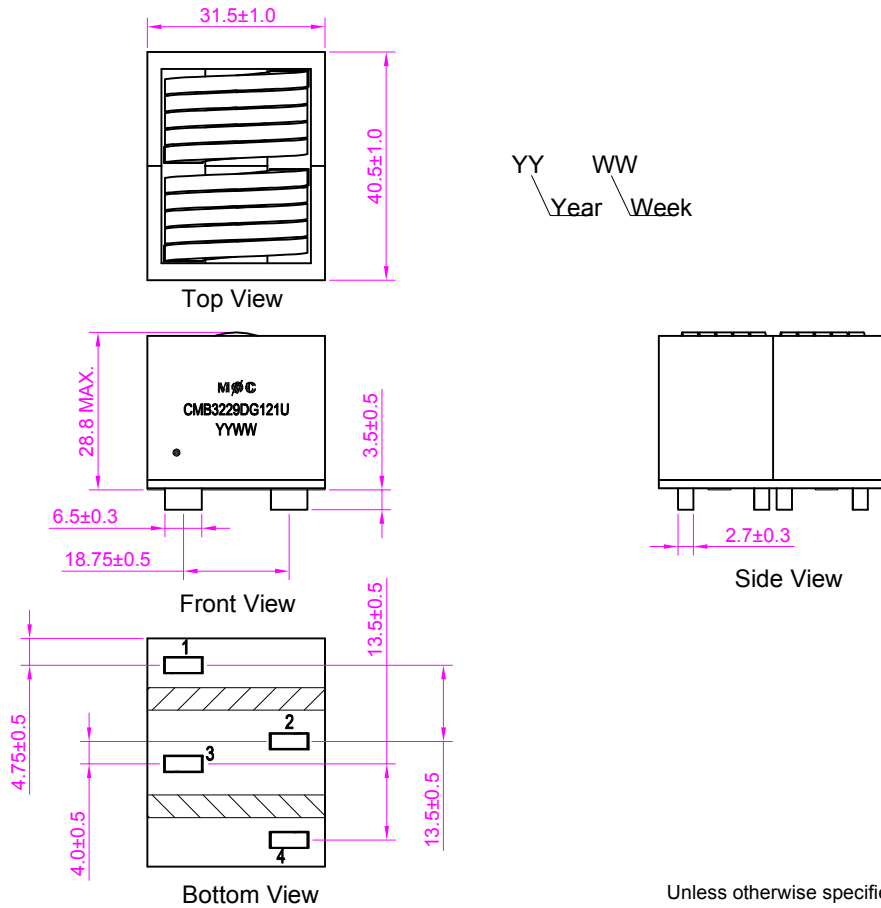


- IEC 62368-1 Compliant.
- RoHS Compliant.
- Storage temperature: -40°C to +125°C.
- Operating temperature range (Including self temperature rise): -40°C to +125°C.



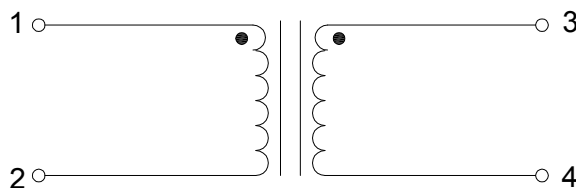
Electrical Specifications @25 °C				
Part Number	L(μH MIN) @100KHz, 1Vac	DCR (mΩ max)	Isat (A)	Irms (A)
		1-2/3-4	1-2/3-4	1-2
CMB3229DG121U	140	0.4	/	100

**SCHEMATICAL DIMENSIONS**



Unless otherwise specified all tolerances are:±0.5 mm

**SCHEMATICS**



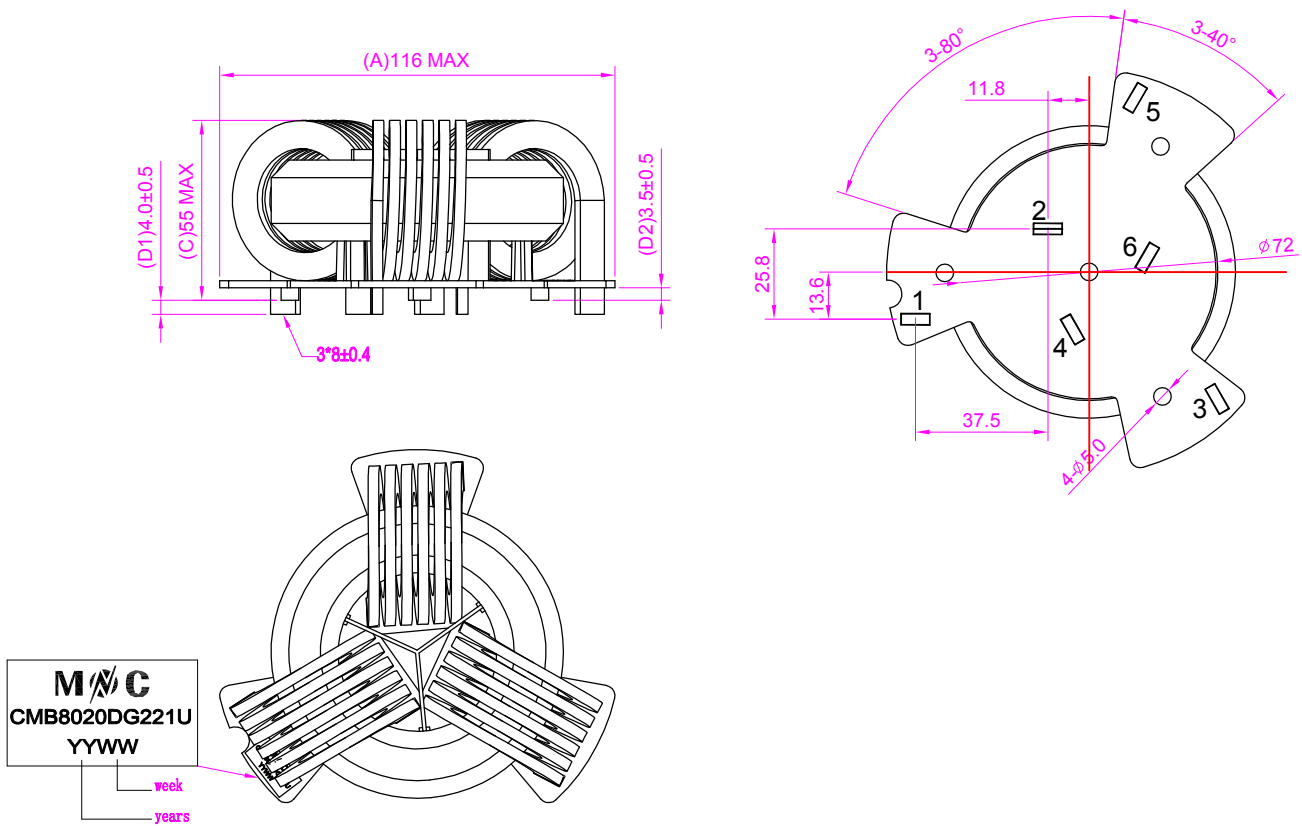


- RoHS Compliant.
- Termination finished: Sn-0.7Cu.
- Operate temperature range: -40 °C to +125 °C (including self-temperature rise)
- Applied to photovoltaic inverter, 70KW



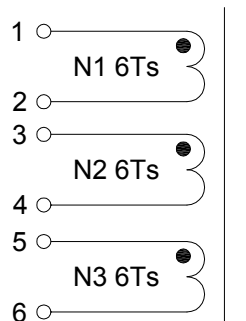
Electrical Specifications @25 °C							
Part Number	L(μH min) @150KHz,0.3Vac	impedance(Ω min)			DCR (mΩ max)	HI-POT	I <sub>rms</sub> (A)
		@300KHz	@400KHz	@1MHz			
	1-2/3-4/5-6	1-2/3-4/5-6	1-2/3-4/5-6	1-2/3-4/5-6	1-2/3-4/5-6	Coil---Coil	
CMB8020DG221U	360	650	600	500	0.6	2000Vac/1mA/60s	81

SCHEMATICAL DIMENSIONS



Unless otherwise specified all tolerances are:±0.5 mm

SCHEMATICS

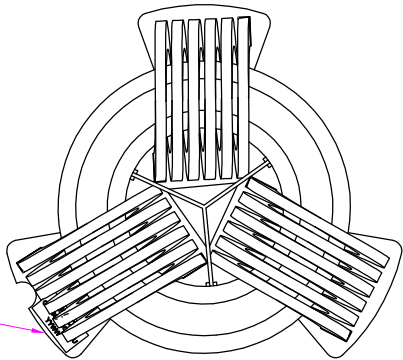
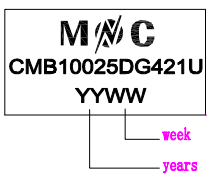
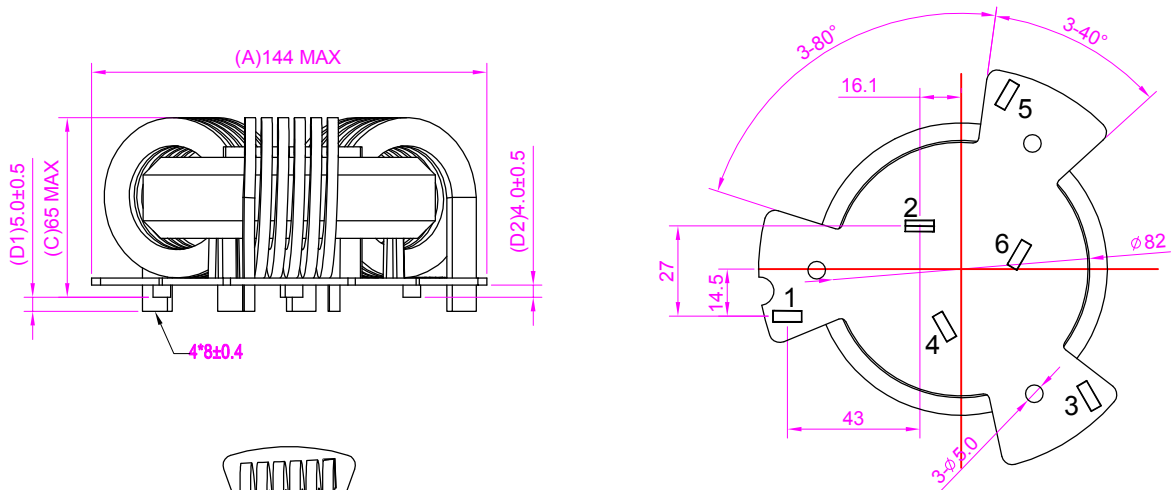


- RoHS Compliant (RoHS6).
- Termination finished: Sn-0.7Cu.
- Operate temperature range: -40 °C to +125 °C (including self-temperature rise)
- Applied to photovoltaic inverter, 110KW



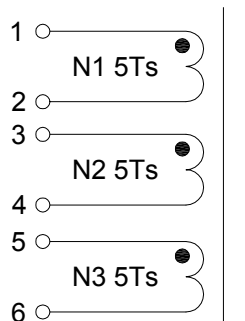
Electrical Specifications @25 °C							
Part Number	L(μH min) @150KHz,0.3Vac	impedance(Ω min)			DCR (mΩ max)	HI-POT	I <sub>rms</sub> (A)
		@200KHz	@500KHz	@1MHz			
	1-2/3-4/5-6	1-2/3-4/5-6	1-2/3-4/5-6	1-2/3-4/5-6	1-2/3-4/5-6	Coil---Coil	
CMB10025DG421U	350	400	420	330	0.5	2000Vac/1mA/60s	127

**SCHEMATICAL DIMENSIONS**



Unless otherwise specified all tolerances are:±0.5 mm

**SCHEMATICS**

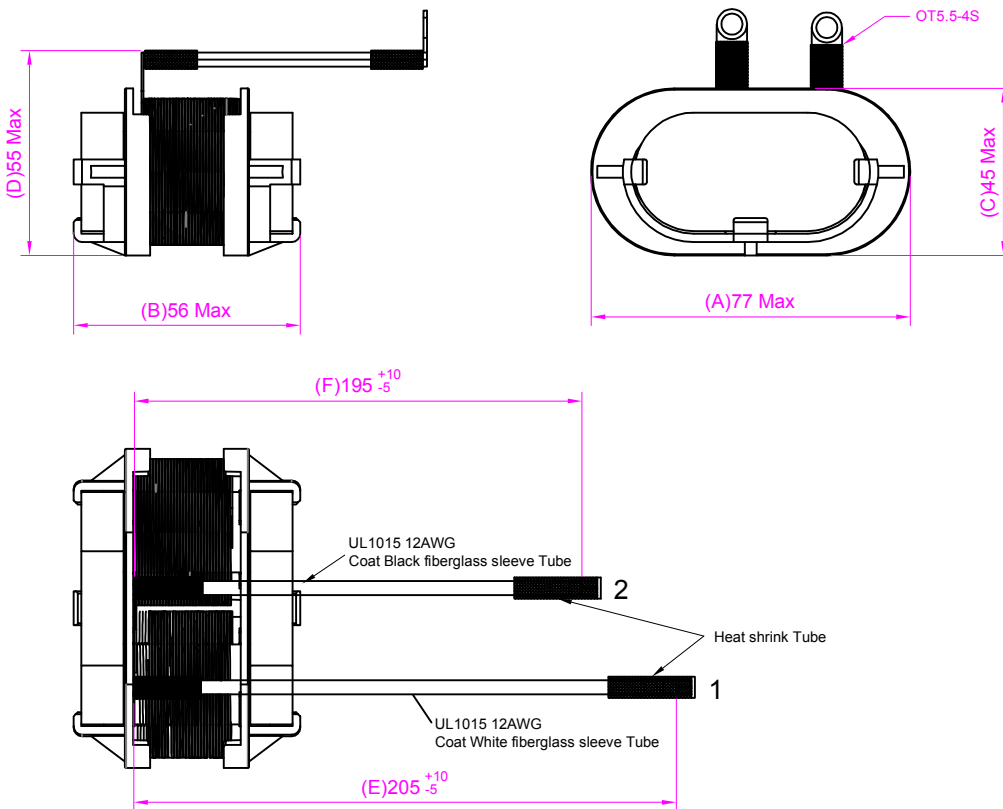


- RoHS Compliant (RoHS6).
- Termination finished: Sn-0.7Cu.
- Operate temperature range: -40 °C to +150 °C (including self-temperature rise)
- Applied to photovoltaic inverter



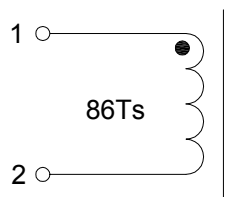
Electrical Specifications @25 °C					
Part Number	L(mH ±10%) @20KHz, 1.0V	L(mH min) DC Bias 10A	DCR (mΩ max)	HI-POT	I <sub>rms</sub> (A)
		1-2	1-2	1-2	Coil---Core
MHW5528TG103K	1.07	0.71	48	2500Vac/10mA/60s	10

SCHEMATICAL DIMENSIONS



Unless otherwise specified all tolerances are:±0.5 mm

SCHEMATICS

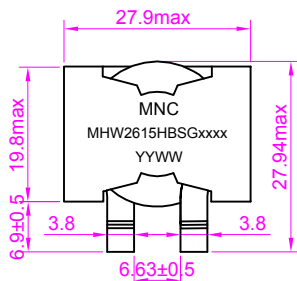


- High rated current
- Low DC resistance
- Surface mount
- Third mounting pad for greater stability and board adhesion
- AEC-Q200 +150°C (Grade 0) qualified
- RoHS Compliant (RoHS6)
- Operating temperature: -40 °C to +150 °C

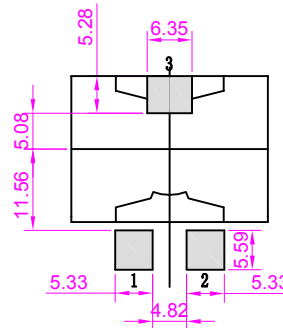


Electrical Specifications @25 °C					
Part Number	OCL( $\mu\text{H}\pm 10\%$ ) @500KHz,0.1V	DCR (m $\Omega$ max)	Isat (A) drop 20%typ	Irms(A) 40°C	HI-POT COIL-CORE
MHW2615HBSG2R2K	2.2	2.05	100	30	200Vdc/1mA/3S
MHW2615HBSG3R3K	3.3	2.05	66.9	30	200Vdc/1mA/3S
MHW2615HBSG4R7K	4.7	2.05	48	30	200Vdc/1mA/3S
MHW2615HBSG6R8K	6.8	2.05	34.5	30	200Vdc/1mA/3S
MHW2615HBSG100K	10	2.05	21.5	30	200Vdc/1mA/3S
MHW2615HBSG150K	15	2.05	14	30	200Vdc/1mA/3S
MHW2615HBSG220K	22	2.05	8.6	30	200Vdc/1mA/3S
MHW2615HBSG330K	33	2.05	5.1	30	200Vdc/1mA/3S

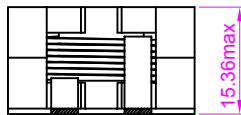
**MECHANICAL DIMENSIONS(Unit:mm)**



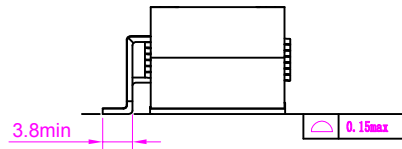
Top view



Recommended Pad Layout



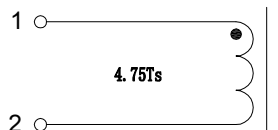
Front view



Side view

Unless otherwise specified all tolerances are:±0.30mm.

**SCHEMATICS**

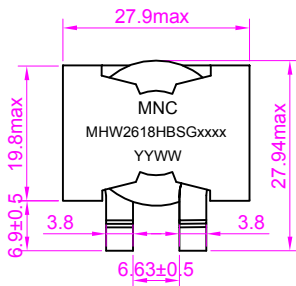


- High rated current
- Low DC resistance
- Surface mount
- Third mounting pad for greater stability and board adhesion
- AEC-Q200 +150°C (Grade 0) qualified
- RoHS Compliant (RoHS6)
- Operating temperature: -40 °C to +150 °C

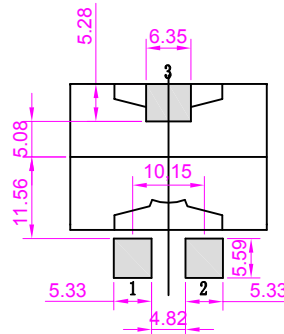


Electrical Specifications @25 °C					
Part Number	OCL( $\mu\text{H}\pm 10\%$ ) @500KHz,0.1V	DCR (m $\Omega$ max)	Isat (A) drop 20%typ	Irms(A) 40°C	HI-POT COIL-CORE
MHW2618HBSG3R3K	3.3	2.86	92.5	28	200Vdc/1mA/3S
MHW2618HBSG4R7K	4.7	2.86	61.2	28	200Vdc/1mA/3S
MHW2618HBSG6R8K	6.8	2.86	45	28	200Vdc/1mA/3S
MHW2618HBSG100K	10	2.86	31.2	28	200Vdc/1mA/3S
MHW2618HBSG150K	15	2.86	21.2	28	200Vdc/1mA/3S
MHW2618HBSG220K	22	2.86	14	28	200Vdc/1mA/3S
MHW2618HBSG330K	33	2.86	8.7	28	200Vdc/1mA/3S

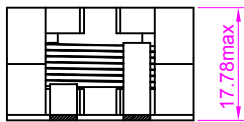
MECHANICAL DIMENSIONS(Unit:mm)



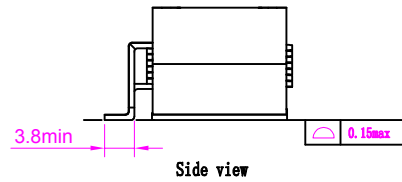
Top view



Recommended Pad Layout



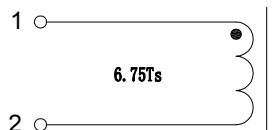
Front view



Side view

Unless otherwise specified all tolerances are:±0.30mm.

SCHEMATICS

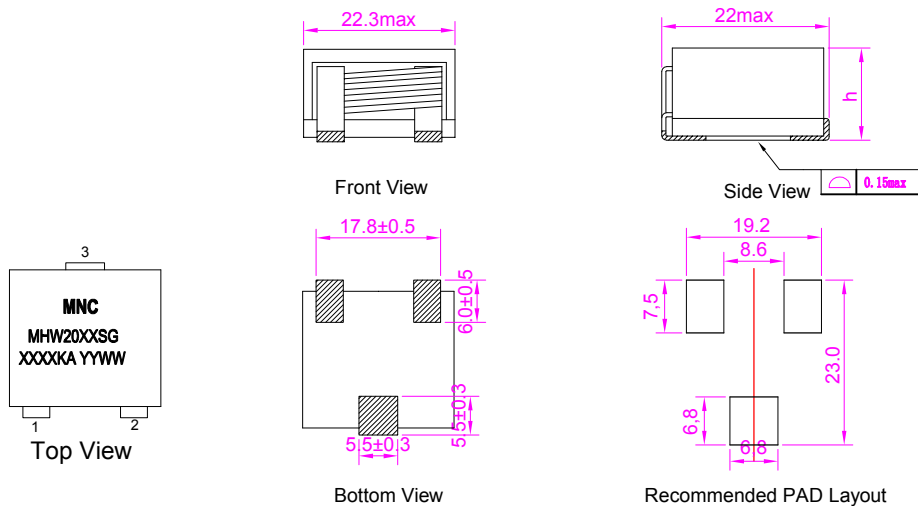


- High rated current
- Low DC resistance
- Surface mount
- Third mounting pad for greater stability and board adhesion
- AEC-Q200 +150°C (Grade 0) qualified
- RoHS Compliant (RoHS6)
- Operating temperature: -40 °C to +150 °C



Electrical Specifications @25 °C					
Part Number	OCL( $\mu\text{H}\pm 10\%$ ) @100KHz,0.1V	DCR (m $\Omega$ max)	Isat (A) drop 20%typ	Height h: (mm)max	HI-POT COIL-CORE
MHW2010SG1R0KA	1.0	0.65	50	10.2	200Vdc/1mA/3S
MHW2010SG1R5KA	1.5	0.9	50	11.1	200Vdc/1mA/3S
MHW2012SG2R2KA	2.2	1.2	43	12.5	200Vdc/1mA/3S
MHW2013SG3R3KA	3.3	1.5	34	13.2	200Vdc/1mA/3S
MHW2010SG4R7KA	4.7	2.4	22	10.2	200Vdc/1mA/3S
MHW2010SG6R8KA	6.8	2.9	19	10.2	200Vdc/1mA/3S
MHW2012SG100KA	10	3.9	18.3	12.1	200Vdc/1mA/3S
MHW2012SG150KA	15	3.9	15.3	12.1	200Vdc/1mA/3S
MHW2014SG200KA	20	6.4	14.3	14.5	200Vdc/1mA/3S
MHW2015SG290KA	29	7.1	11.0	14.5	200Vdc/1mA/3S
MHW2015SG350KA	35	7.1	9.3	14.5	200Vdc/1mA/3S

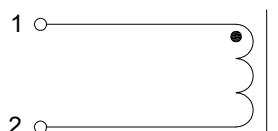
MECHANICAL DIMENSIONS(Unit:mm)



Note: Pin 3 is dummy

Unless otherwise specified all tolerances are:±0.30mm.

SCHEMATICS

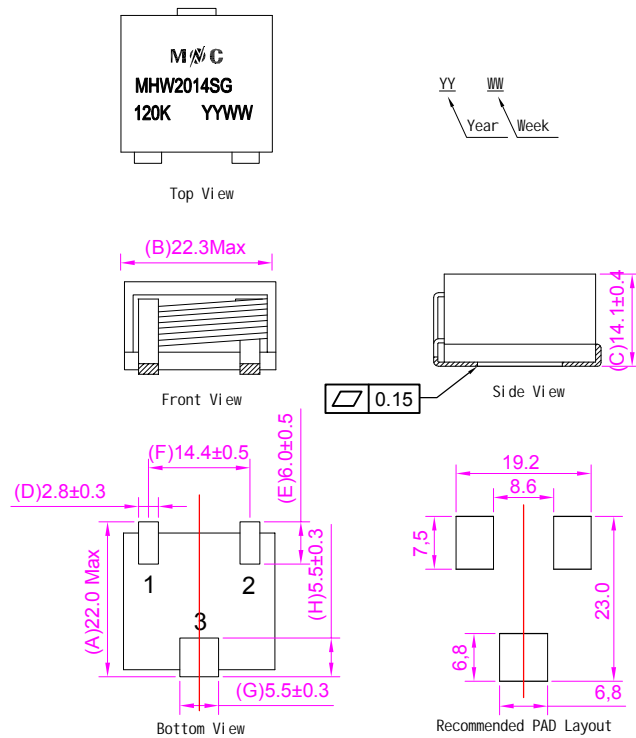


- RoHS Compliant.
- Termination finished: Sn-0.7Cu .
- Storage temperature: -40°C to +125°C.
- Operating temperature range: -40°C to +125°C (Including self temperature rise).

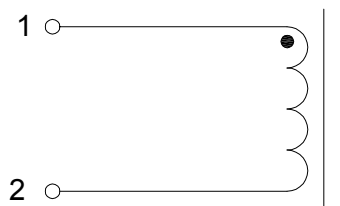


Electrical Specifications @25 °C				
Part Number	L(μH ±10%) @100KHz,1Vac	DCR (mΩ max)	Hi-pot (A)	Isat 25°C (A)
		1-2	1-2	WDG-Core
MHW2014SG120K	12	5.0	200Vdc 2mA 2S	22

MECHANICAL DIMENSIONS (Unit:mm)



SCHEMATICS



Thank you !

**Dongguan Mentech Optical & Magnetic Co., Ltd.**



(0086)-769-86921000



Block A, No. 157 Dongyuan RD, Shipai, Dongguan, GD, CN

