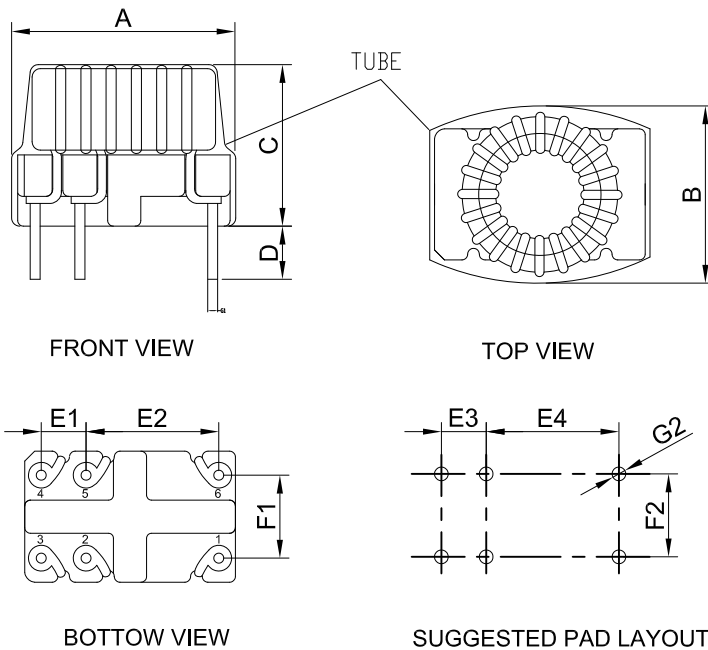


- DESIGN FOR PLC(POWER LINE COMMUNICATION) APPLICATION.
- ROHS COMPLIANT.
- REINFORCED INSULATION.
- OPERATING TEMPERATURE RANGE: -40 °C TO +85°C.

Electrical Specifications @25°C

Part Number	OCL @10KHz,0.25V	OCL @10KHz,0.25V	DCR @25°C	DCR @25°C	Turns Ratio @1kHz,0.25V	Hi-Pot
	1-6=2-5	3-4	1-6=2-5	3-4	1-6:2-5:3-4	1-6 TO 2-5,3-4
MTCB953DG12126A	93-209uH	23-52uH	120mΩ Max	80mΩ Max	1:1:0.5±3%	3000Vac,3mA,60S,60Hz

MECHANICAL



DIM	MILLIMETERS (Units:mm)
A	14.0 Max
B	12.5 Max
C	11.5 Max
D	3.0±0.5
E1	2.7±0.5
E2	8.0±0.3
F1	5.0±0.5
G1	0.6±0.1
E3	2.7 Typ
E4	8.0 Typ
F2	5.0 Typ
G2	1.2 Typ

SCHEMATICS

