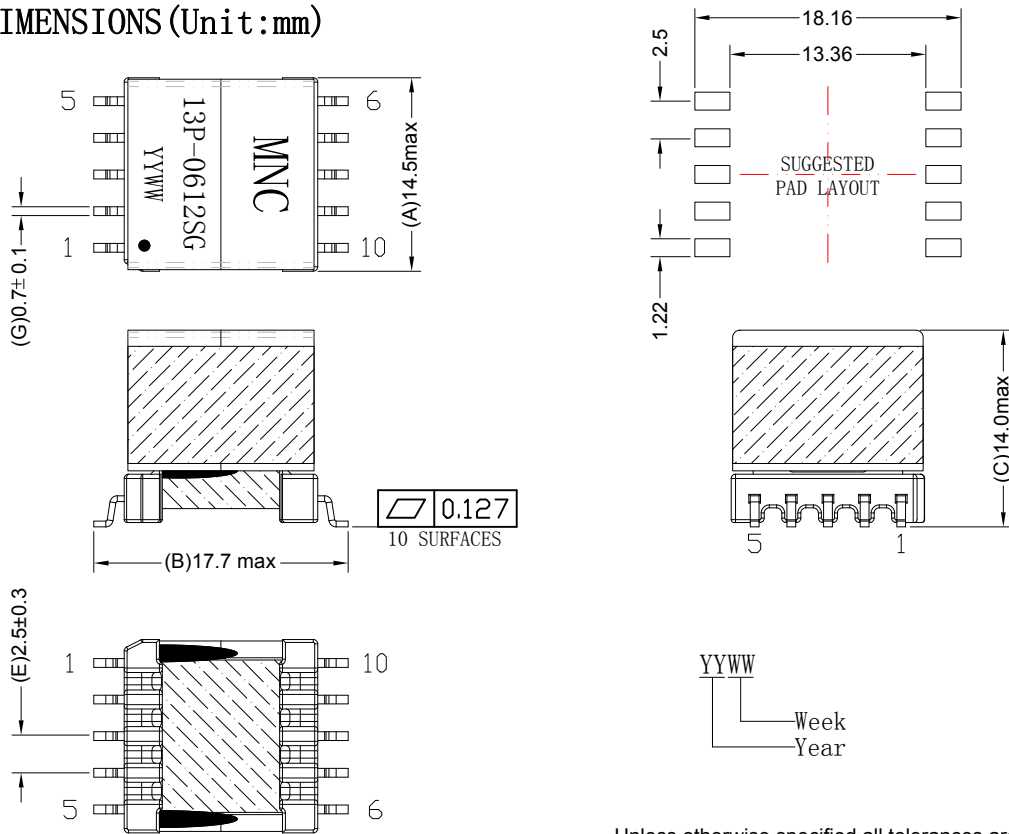


- RoHS Compliant.
- IEC60950 Compliant.
- Termination finished: Sn-0.7Cu.
- Storage temperature range: -40°C to +85°C.
- Operate temperature range: -40°C to +125°C (including the temperature rise of coil)



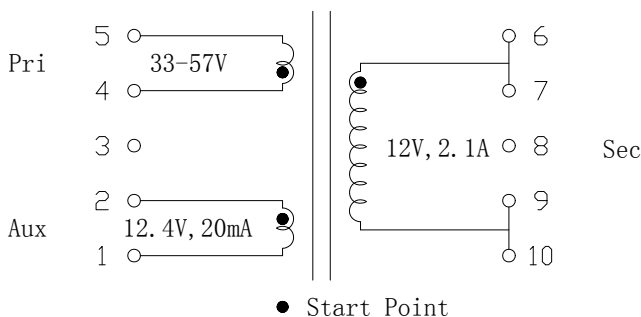
Electrical Specifications @25°C							
Part Number	Turns Ratio @100KHz,1V	OCL @1KHz,0.5V	LK @250KHz,0.5V	DCR			HI-POT (1mA,6Sec,60Hz)
	4-5: 6,7-9,10: 2-1	4-5	4-5 (Short Sec & Aux)	4-5	6,7-9,10	2-1	Pri/Aux-Sec
TOEP13P-0612SG	1: 0.333: 0.333±3%	65uH ±7%	0.6uH MAX	100mΩ max	13.5mΩ max	86mΩ max	1500Vac

MECHANICAL DIMENSIONS (Unit:mm)



Unless otherwise specified all tolerances are:±0.25 in mm

SCHEMATICS



WINDING CONSTRUCTION

