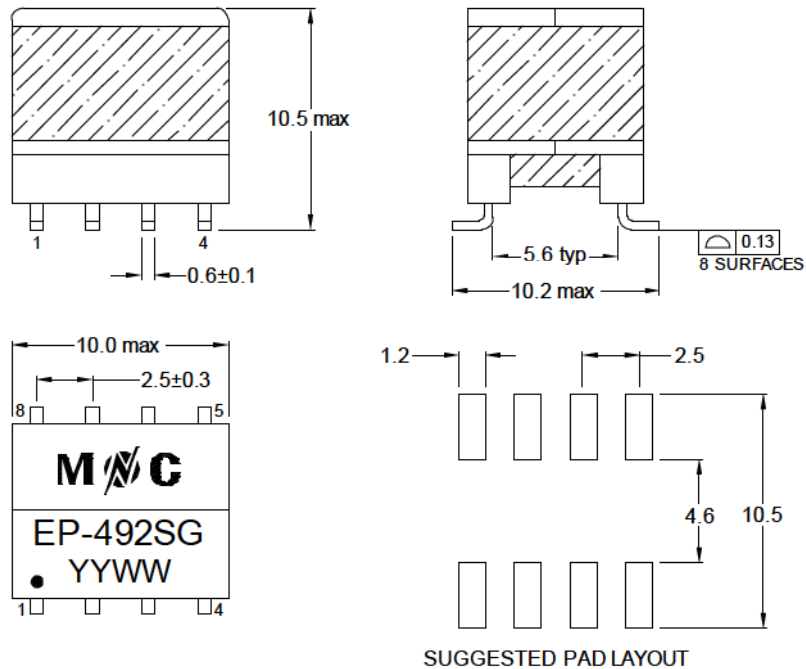


- IEC60950 Compatible.
- RoHS Compliant.
- Surface Mount Device.
- Operating temperature range (Including self temperature rise): -40 °C to +125 °C.



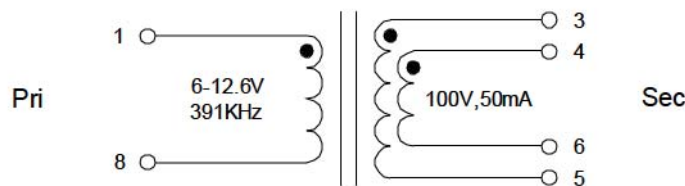
Electrical Specifications @25 °C					
Part Number	Turns Ratio(±3%)	OCL( $\mu\text{H}\pm 10\%$ ) @100KHz,0.1V	DCR (m $\Omega$ max)		HI-POT (Vrms)
		1-8:3,4-5,6	1-8	1-8	3,4-5,6
EP-492SG	1:4	2.7	11	345	500

## SCHEMATICS



Unless otherwise specified all tolerances are:  $\pm 0.25$  in mm

## SCHEMATICS



Tape&Reel 350pcs per reel  
Weigh 2.09g/pcs