

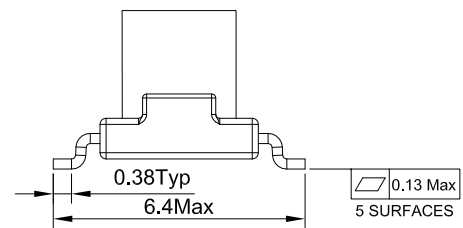
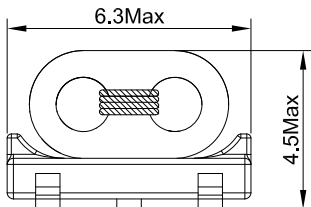
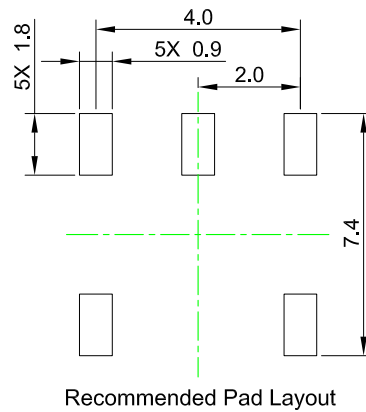
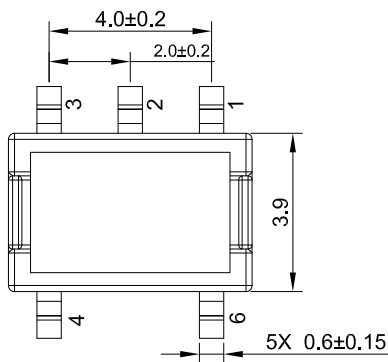
- RF Transformer
- Operating temperature range: -40°C to +85°C
- Storage temperature range: -55°C to +125°C
- RoHS compliant



### Electrical Specifications @25°C, Z<sub>0</sub>=75Ω

Part Number	Turns Ratio	Ω Ratio	Insertion Loss	Return Loss	Frequency
		P1-2:P2-3:P4-6	Pri:Sec(P1-3:P4-6)	1-75MHz	1-75MHz
RFT-012SG	1:1:2±5%	1:1	0.8dB Max	10dB Min	

### MECHANICAL DIMENSIONS(units:mm)



Unless otherwise specified all tolerances are:±0.25 mm

### SCHEMATIC

