



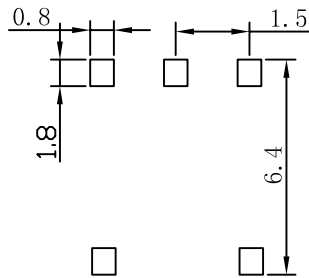
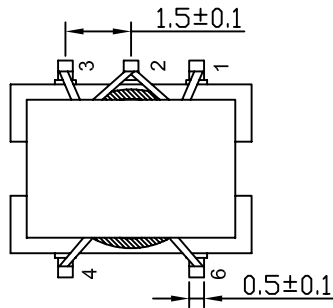
RF TRANSFORMERS

- RF Transformers
- Operating temperature range: -40°C to +85°C
- Storage temperature range: -40°C to +125°C
- Max Input power :250mW,DC Current :240mA
- RoHS compliant

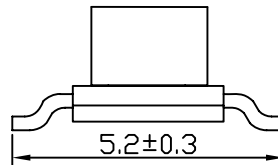
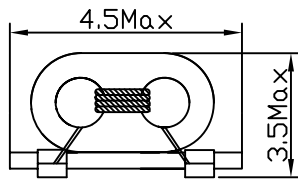


Electrical Specifications @25° C							
Part Number	Turns Ratio	Insertion Loss			Return Loss		HI-POT
		5MHz~60MHz	60MHz~150MHz	150MHz~200MHz	5MHz~60MHz	60MHz~200MHz	
RFT-013SG	1:1:2± 5%	0.5dB Max	0.8dB Max	1.1dB Max	20dB Min	10dB Min	300VAC,2mA,60S

MECHANICAL



Recommend PAD layout



Unless otherwise specified all tolerances are:± 0.25 in mm

SCHEMATICS

