

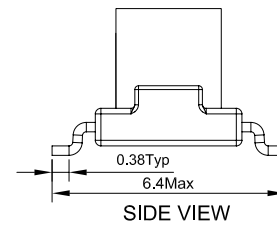
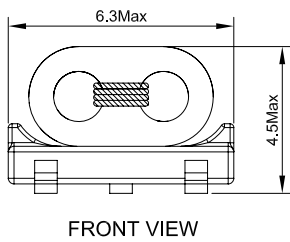
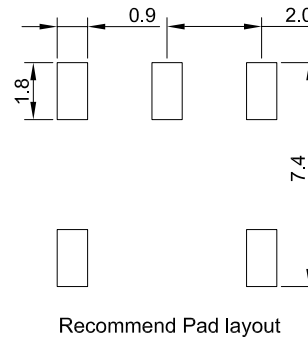
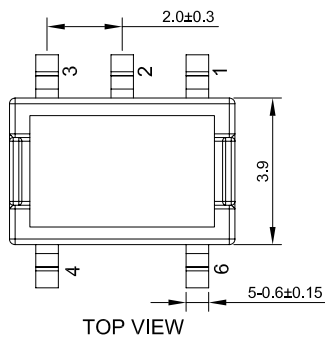
- RF Transformer
- Operating temperature range: -40°C to +85°C
- Storage temperature range: -55°C to +125°C
- Impedance=75Ω
- RoHS compliant



### Electrical Specifications @25°C, Z<sub>0</sub>=75Ω

Part Number	Turns Ratio	Ω Ratio	Insertion Loss				Frequency
	1-2:2-3:4-6	Pri:Sec(1-3:4-6)	5MHz	10MHz	65MHz	100MHz	
RFT-057SG	1:1:2±5%	1:1	1.5dB Max	1.5dB Max	1.5dB Max	2.0dB Max	5-100MHz

## MECHANICAL



Unless otherwise specified all tolerances are:±0.25 in mm

## SCHEMATICS

