

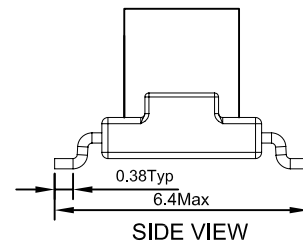
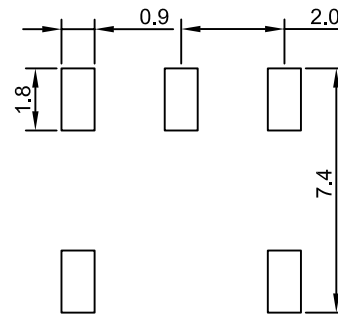
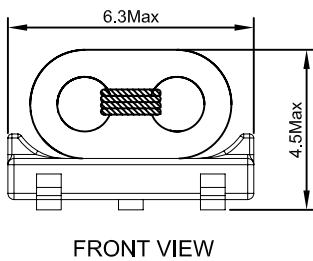
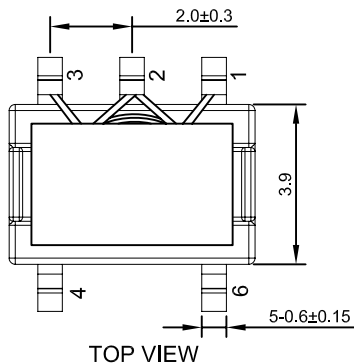
- RF Auto-Transformer
- Operating temperature range: 0 °C to 70 °C
- Storage temperature range: -40 °C to +85 °C
- RoHS compliant



Electrical Specifications @25°C

Part Number	Turns Ratio	Inductance (@100KHz,0.1V)		
		P1-2	P2-3	P1-3
RFT-071SG	1:1:2±5%	30uH Typ	30uH Typ	120uH Typ

MECHANICAL



Unless otherwise specified all tolerances are:±0.25 in mm

SCHEMATICS

