

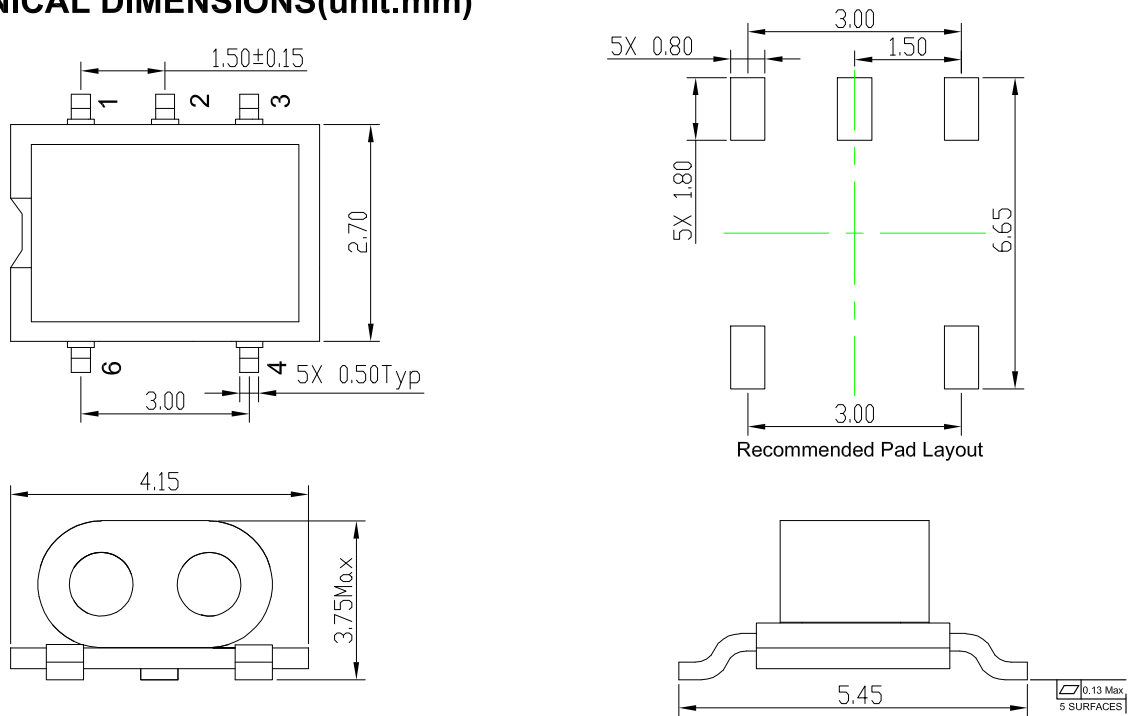
- RF Transformer
- Operating temperature range: -40 °C to +125 °C
- Storage temperature range: -55 °C to +125 °C
- RoHS compliant

Electrical Specifications @25°C, Z₀=75Ω

Part Number	Turns Ratio	Ω Ratio	Insertion Loss	Return Loss	DC Current	RF Power	Frequency
	Pri:Sec(1-3:6-4)	Pri:Sec(1-3:6-4)	5-204 MHz	5-204 MHz			
RFT-129SG	1CT:1.5±5%	1:2.25	1.3dB Max	12dB Min	700mA Max	200mW Typ	5-204 MHz

Note: Insertion Loss is referenced to mid-band loss 0.8dB typ. Measure back to back.

MECHANICAL DIMENSIONS(unit:mm)



Unless otherwise specified all tolerances are: ±0.25 mm

SCHEMATIC

