

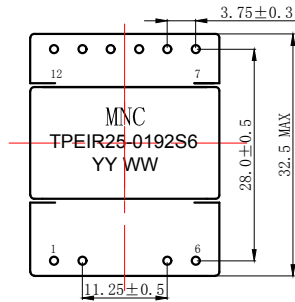
- RoHS Compliant.
- Surface Mount Device.
- Operating temperature range(Including self temperature rise): -40 to +125 .
- Design with EE core .

Application

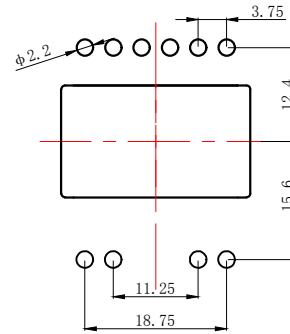
Output Power (W)	Work Frequency (KHz)	Circuit topology	Input Voltage (V)	Output Voltage (V)	Output Current (A)
100	100	Half Bridge	30-60	2.5	40

Electrical Specifications @25°C										
Part Number	Turns Ratio(±3%)	OCL(μH ±25%) @100KHz,0.1V	LK(μH Max) @100KHz,0.1V	DCR (mΩmax)				HI-POT (Vac)		
	N2:N1-2:N1-1:N3-1:N3-2:N4	2-5	2-5(short Sec)	1-6	2-5	7-8/8-9	10-11/11-12	Pri-Sec	Pri-Core	Sec-Core
TPEIR25-0192S6	5:1:1:1:1:4	100	1.0	40	15	1.35	2.4	2250Vac 2mA 60s	500Vac 2mA 60s	500Vac 2mA 60s

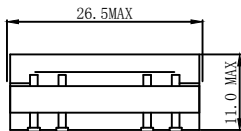
MECHANICAL DIMENSIONS (UNITS:mm)



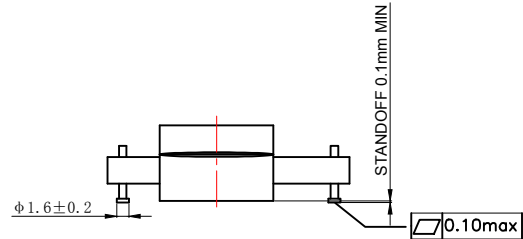
Top View



Recommended PAD Layout



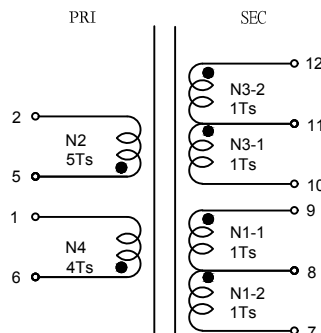
Front View



Side View

● Unless otherwise specified all tolerances are: ±0.25mm

SCHEMATICS



● Start Point