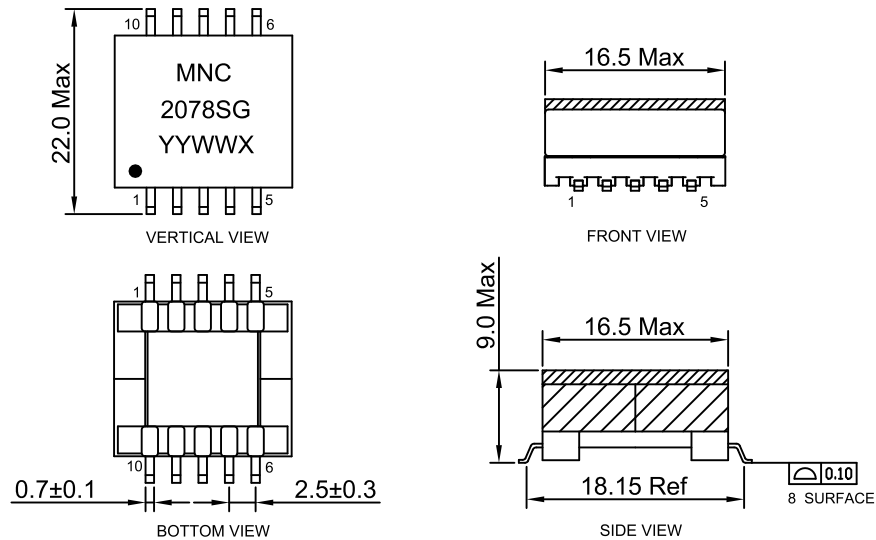


- RoHs Compliance.
- Storage Temperature Range: -40°C TO 125°C.
- Operating Temperature Range: -40°C TO 125°C.
- AEC-Q200 to be qualified.
- Creepage distance > 4mm.



Electrical Specifications @ 25°C						
Part Number	OCL(uH Min) @100KHz,0.25V	LK(uH Max) @100KHz, 0.25V	DCR (mΩ MAX)	HI-POT @5S,2mA,50/60Hz		
	2-3	2-3 short others	2-3	Pri-Sec	Pri-Core	Sec-Core
TTAEFD15-2078SG	117	0.7	100	2500VAC	2000VAC	2000VAC

MECHANICAL



Unless otherwise specified all tolerances are:±0.25 in mm

SCHEMATICS

