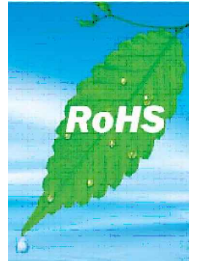


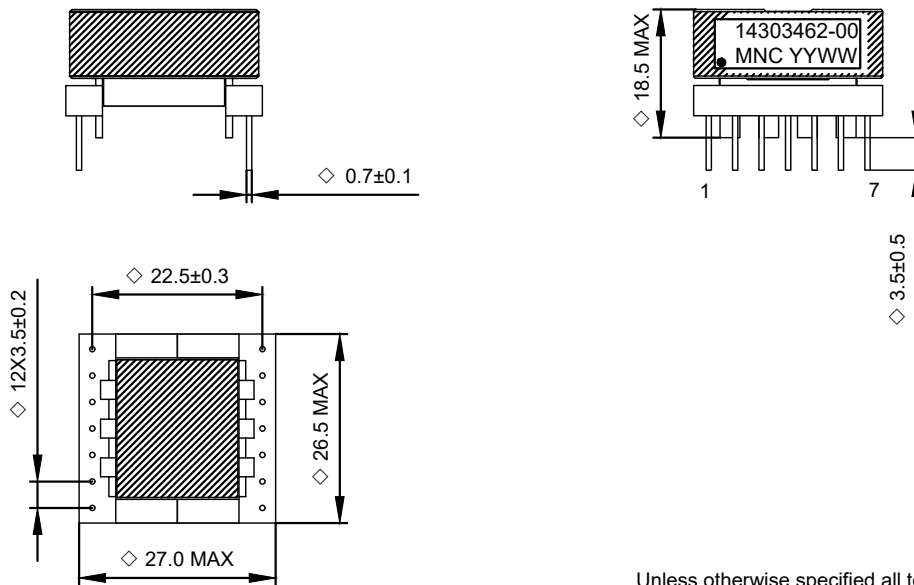
- RoHS Compliant (RoHS6).
- IEC60950 Compliant.
- Termination finished: Sn-0.7Cu.
- AEC-Q200 Qualified
- Storage temperature range : -40°C to +125°C.
- Operate temperature range: -40°C to +125°C (including self-temperature rise)



### Electrical Specifications @ 25°C

Part Number	OCL(uH) @100KHz,0.1V	LK (uH Max) 100KHz, 0.1V	Turns Ratio (±3%)	DCR mΩ max				HI-POT (60s,1mA,50/60Hz)		Impulse 1500V,5pulses	
	3-2	3-2(short other pins)		3-2	5-6	14-12	10-8	3000VAC	1500VAC		
TTAEFD25-2017DG	1.5±10%	0.1	N1:N2:N3:N4:N5:N6	TBD	TBD	TBD	TBD	2,5-10,14	10-14	core-coils	10% AREA Max
			2:6:6:4:9:3								

### MECHANICAL DIMENSIONS(mm)



Unless otherwise specified all tolerances are:±0.25 in mm

### SCHEMATICS

