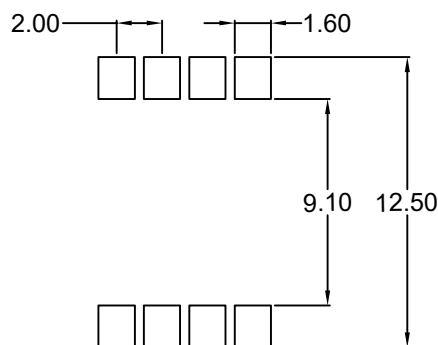
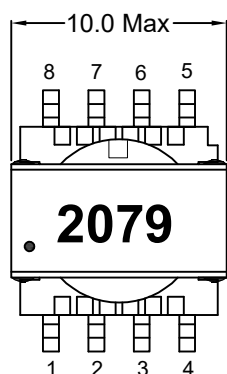


- IEC60950 Compliancy
- Termination finished: Sn-0.7Cu
- AEC-Q200 +125°C(Grade1) qualified
- Storage temperature range : -40°C to +125°C
- Operate temperature range: -40°C to +125°C(including self-temperature rise)

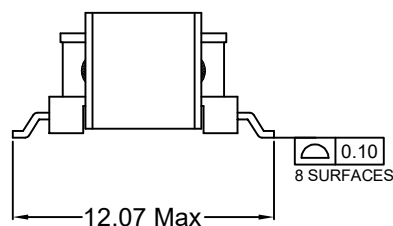
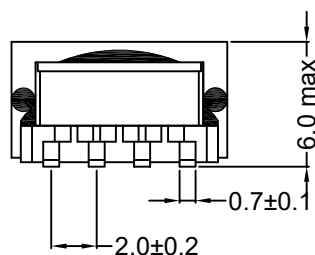
### Electrical Specifications @25°C

Part Number	Turns Ratio (±3%)	OCL(uH) @100KHz,0.1V	LK(uH MAX) @100KHz,0.1V	DCR (mΩ max)			HiPOT (1mA 2S 50/60Hz)		
	1-2:5-6:7-8	1-2	Pri (Short other pins)	1-2	5-6	7-8	NP – NS1,NS2	NS1 – NS2	core – coils
TTAER09-2079SG	17:19:5	230 min	2.0	340	440	135	1500V AC	1200V AC	1200V AC

## MECHANICAL DIMENSIONS



SUGGESTED PAD LAYOUT



Units is mm  
Unless otherwise specified all tolerances are:Typical

## SCHEMATICS

