

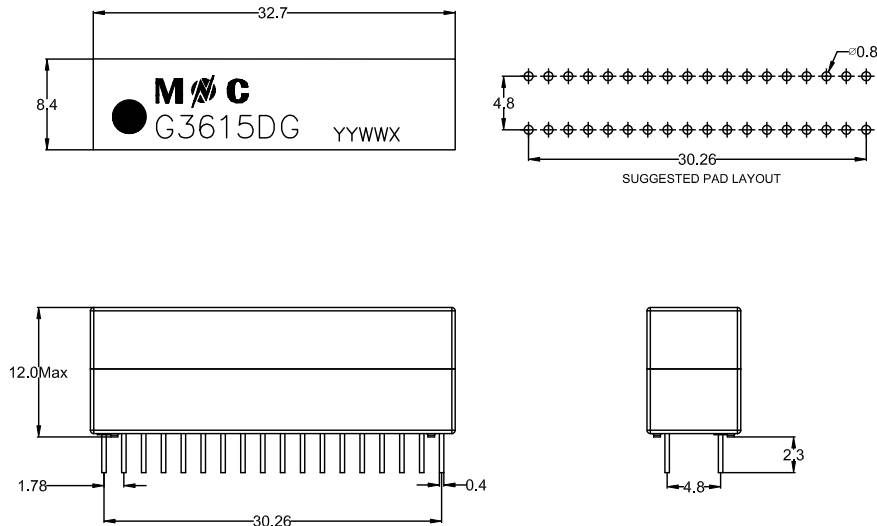
- Meets IEEE 802.3 & ANSI X3.263 Standards.
- RoHS Compliant.
- 100/1000 Base-T, Through-Hole Type .
- Operating temperature range: 0°C to +70°C.



Electrical Specifications @25°C

| Part Number | OCL(μH) 100KHz,0.1Vrms, With 8mA DC Bias | Turns Ratio (±5%) | Insertion Loss (dB Max) | | Return Loss (dB Min) | | Cross talk (dB Min) | | CMRR (dB Min) | HI-POT (Vrms) |
|-------------|--|----------------------|----------------------------|-----------|-------------------------|-----------|------------------------|-----|------------------|------------------|
| | | | 0.5-100MHz | 0.5-40MHz | 10.1-100MHz | 0.5-40MHz | 40.1-100MHz | | | |
| G3615DG | 350uH | 1CT:1CT | -1.1 | -18 | -18+20*log(f/30) | -35 | -33+20*log(f/50) | -30 | 1500 | |

MECHANICAL



Unless otherwise specified all tolerances are:±0.25 in mm

SCHEMATICS

