



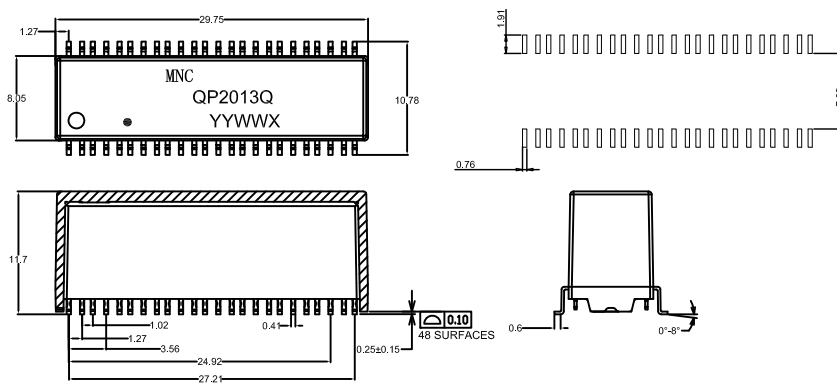
2.5G BASE-T DUAL PORT SURFACE MOUNT MAGNETICS

- Meets IEEE 802.3bz Standards.
- RoHS Compliant.
- 2.5G Base-T, Surface Mount Type, Open Header .
- Operating temperature range: -40°C to +85°C.
- 1.15A Current Capability Per POE Port / Two-pair.



Electrical Specifications @25°C																
Part Number	OCL(μH Min) @100kHz,0.1V		Turns Ratio (±2%)	Insertion Loss (dB Max)			Return Loss (dB Min)		Cross talk (dB Min)		CCMR (dB Min)		DCMR (dB Min)		HI-POT (Vrms) 1mA 60S	
	With 0mA DC Bias	With 15mA DC Bias		1-100MHz	100MHz-200MHz	1-40MHz	40-200MHz	10-100MHz	100-200MHz	10-200MHz	200-500MHz	500-1GHz	10-100MHz	100-500MHz		500-1GHz
QP2013Q	180	150	1CT:1CT	-1.0	-1.5	-20	-20+15*log(f/40)	-32	-25	-14	-8	-7	-26	-16	-10	1500

MECHANICAL



Unless otherwise specified all tolerances are:±0.25 in mm

SCHEMATICS

