






# 2.5G BASE-T DUAL PORT SURFACE MOUNT MAGNETICS

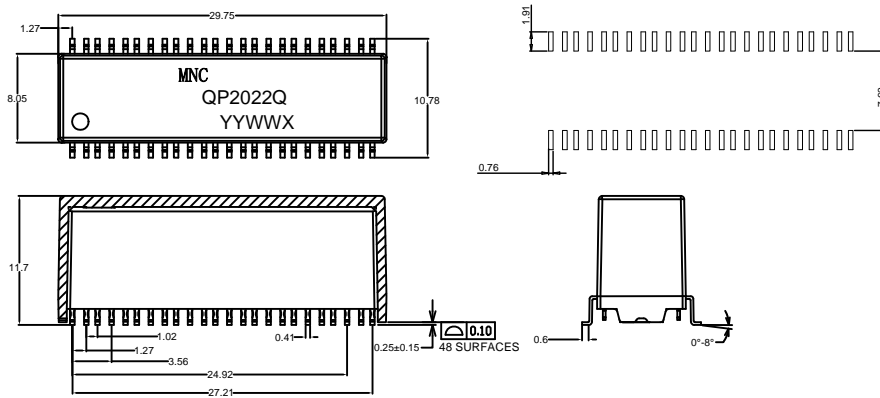
-  Meets IEEE 802.3bz Standards.
-  RoHS Compliant.
-  2.5G Base-T, Surface Mount Type, Open Header .
-  Operating temperature range: -40°C to +85°C.
-  1A Current Capability Per POE Port / Two-pair.



**Electrical Specifications @25°C**

Part Number	OCL(μH Min) @100kHz,0.2V With 15mA DC Bias -40°C to +135°C	Turns Ratio (±5%)	Insertion Loss (dB Max)		Return Loss (dB Min)		Cross talk (dB Min)		CCMR (dB Min)			DCMR (dB Min)		HI-POT (Vrms)	
			100KHz-100MHz	100MHz-200MHz	1-40MHz	40-200MHz	10-100MHz	100-200MHz	10-200MHz	200-500MHz	500-1GHz	10-100MHz	100-500MHz		500-1GHz
QP2022Q	150	1CT:1CT	-1.0	-1.5	-20	-20+15*log(f/40)	-34	-25	-30	-20	-15	-30	-20	-15	1500

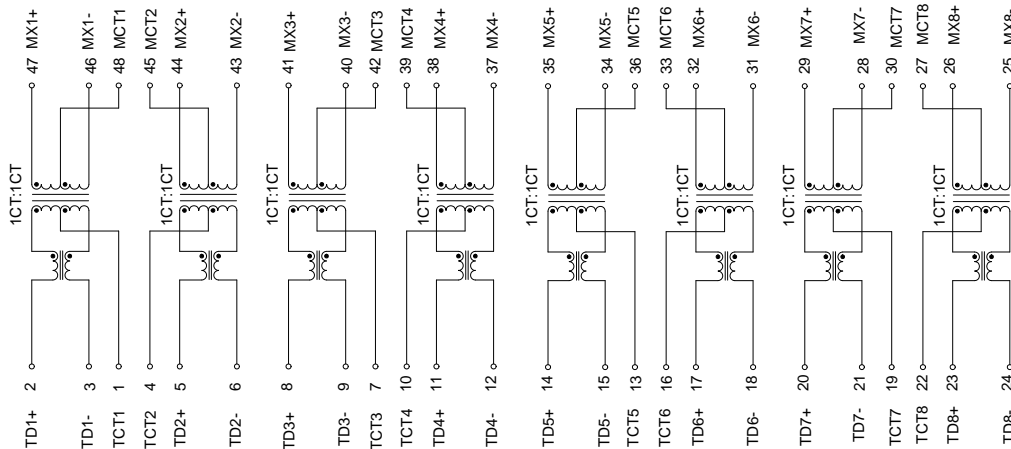
## MECHANICAL



Unless otherwise specified all tolerances are:±0.25 in mm

## SCHEMATICS

### LINE SIDE



### CHIP SIDE