



Mentech
铭普光磁

COMMON MODE CHOKE

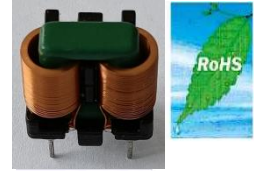
COMMON MODE CHOKE

High impedance to minimize common mode noise

Excellent EMI performance

Operate temperature range: -25°C to +125°C (Including self temperature rise)

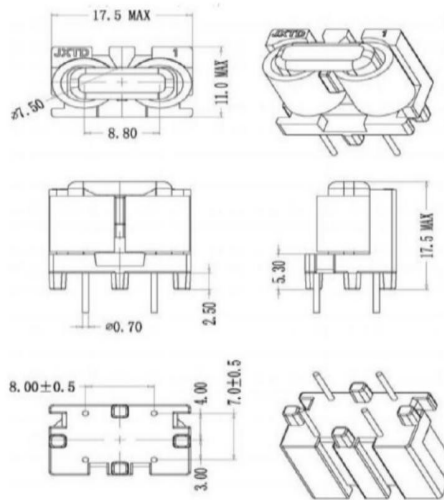
Storage temperature range: -25°C to +100°C



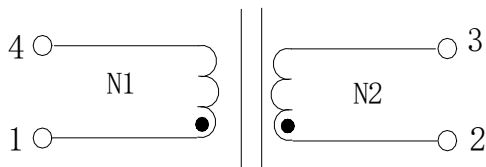
Electrical Specifications @25°C

Part Number	OCL @1.0kHz, 0.25V (mH Min)	WIRE	DCR (mΩ Max.)	Turns Ratio	Rated Current (A Max.) △ TW55° C	Hi-Pot 110A/1S/50Hz (Vac)
	1-4, 2-3		1-4, 2-3	1-4, 2-3		1-4 TO 2-3
YX-SQ1212-L7.0mHL	7.0	0.15t*1.0mm*38TS	180	1:1	1.8-2.2	1500
YX-SQ1212-L10mHL	10.0	0.13t*1.0mm*47TS	200	1:1	1.5-2.0	1500
YX-SQ1212-L15mHL	15.0	0.10t*1.0mm*51TS	220	1:1	1.0-1.5	1500

一、OUTLINE DIMENSION (UNIT:mm)



二、电原理图/CIRCUIT DIAGRAM



"•" POLARITY

三、内部结构图/CONSTRUCTION DIAGRAM

