



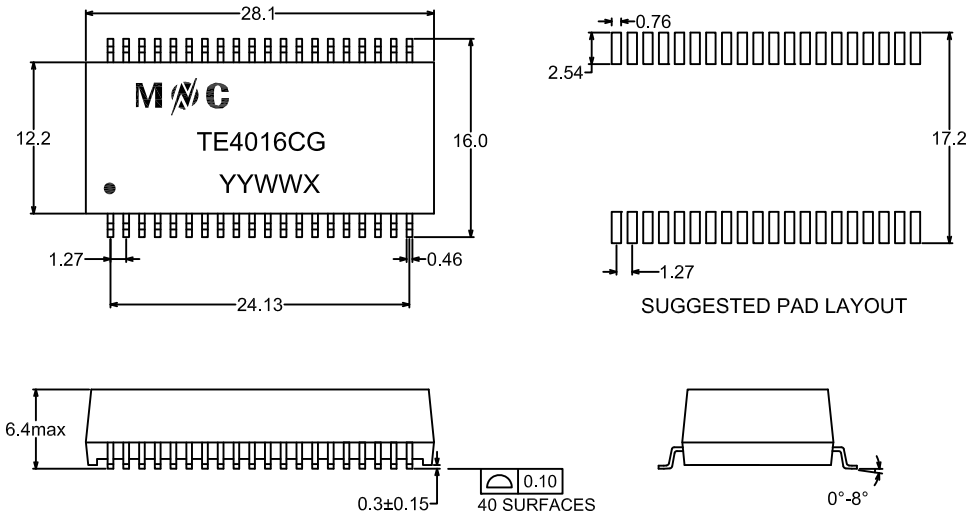
# T1/E1/CEPT/ISDN-PRI TRANSFORMERS QUAD PORT SURFACE MOUNT TYPE

- Octal SMT Package contains both transmit and receive transformers
- Models matched to leading transceivers
- RoHS Compliance
- Operating temperature range: 0°C to +70°C
- Storage temperature range: -25°C to +125°C



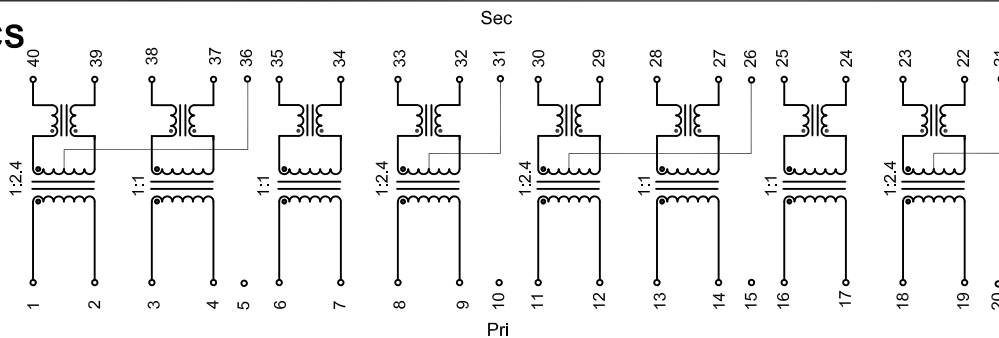
Electrical Specifications @25°C									
Part Number	Turns Ratio (±2%) Pri:Sec	OCL PRI (mH Min) 10KHz, 0.1V	LL (uH Max) 100KHz 0.02V	CWW (pF Max) 100KHz 0.02V	DCR(25°C) (Ω Max)		HI-POT	Primary Pins	
					Pri	Sec		Transmit	Receive
TE4016CG	1:2.4&1:1	1.2&1.2	0.5 & 0.5	35&35	0.8	1.5	1500VAC	1-2,8-9,11-12,18-19	3-4,6-7,13-14,16-17

## MECHANICAL



Unless otherwise specified all tolerances are:±0.25 in mm

## SCHEMATICS



NOTE: PIN5, PIN10, PIN15, PIN20, PIN21, PIN26, PIN31, PIN36 IS NOT USED FOR ELECTRICAL CONNECTION