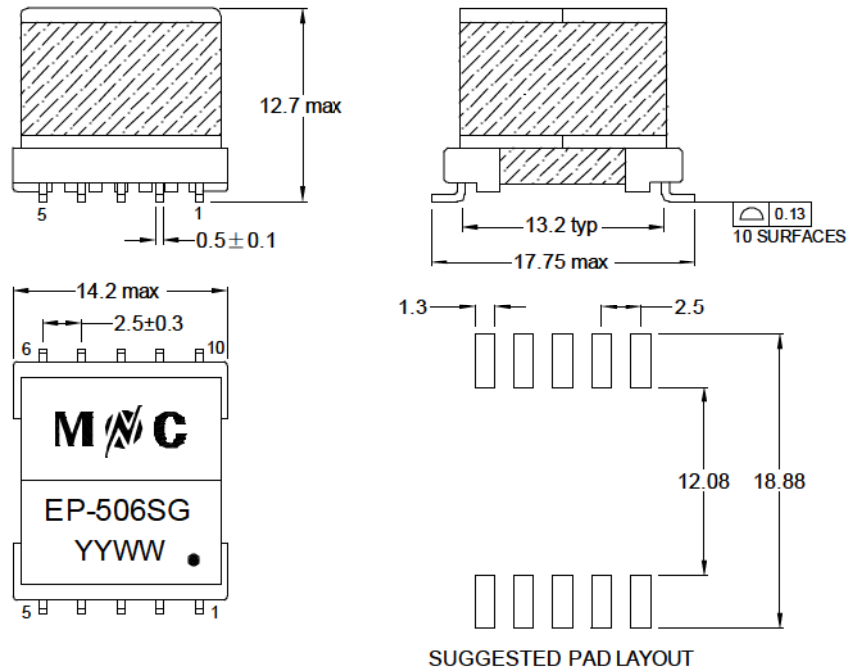


- IEC60950 Compatible.
- RoHS Compliant.
- Surface Mount Device.
- Operating temperature range (Including self temperature rise): -40 °C to +125 °C.



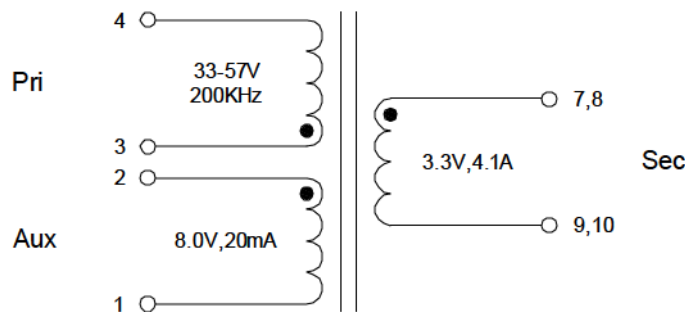
Electrical Specifications @25 °C							
Part Number	Turns Ratio(±3%)	OCL(uH±10%) @100KHz,0.1V	LK(uH max) @100KHz,0.1V	DCR (mΩ max)			HI-POT (Vrms)
	3-4:7,8-9,10:2-1	3-4	3-4 (short other pins)	3-4	2-1	7,8-9,10	Pri/Aux-Sec
EP-506SG	1:0.083:0.208	127	7.5	440	88	6	1500

SCHEMATICS



Unless otherwise specified all tolerances are: ±0.25 in mm

SCHEMATICS



Tape&Reel Weigh 200pcs per reel
5.92g/pcs