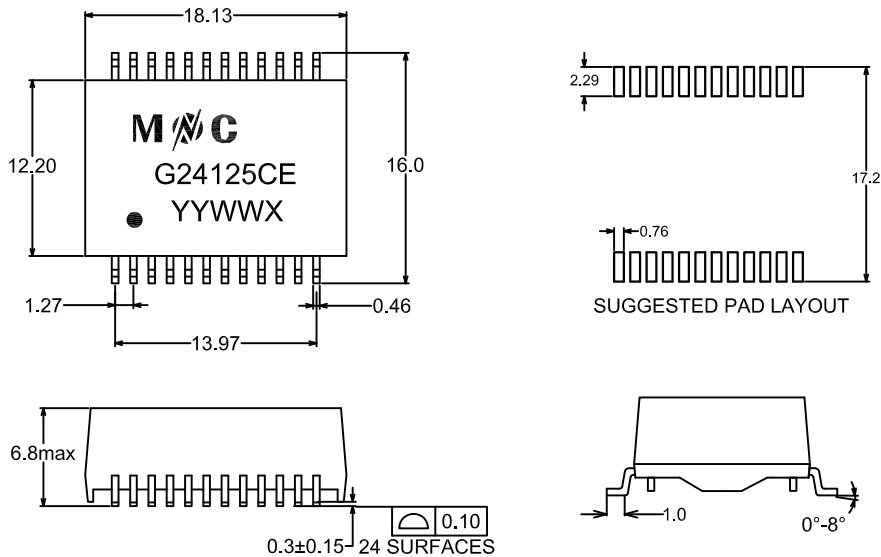


- Meets IEEE 802.3bz Standards.
- 2.5G Base-T, Surface Mount Type, Open Header .
- 720mA Current Capability Per POE Port/ Two-pair.
- RoHS Compliant.
- Operating temperature range: -40°C to +85°C.



Electrical Specifications @25°C									
Part Number	OCL(uH Min) @100KHz, 0.1V		Return Loss (dB Min) Z OUT = 100 OHM±15%		Cross talk (dB Min)		REJECTION RATIO COMMON MODE (dB Min)		
	With 15mA DC Bias		1-40MHz	40.1-200MHz	1-125MHz	125-200MHz		30-200MHz	
G24125CE	180		-20	-20+15*log(f/40)	-30	-22	-30		
	Continue								
	DCR		Turns Ratio (±2%)	Insertion Loss (dB Max)			DC RESISTANCE BALANCE	C _{ww} (pF TYP)	HI-POT (Vrms)
	CHIP(Ω max)	CABLE (Ω max)		1-50M	50-125MHz	125-200MHz	±.05 OHMS MAX	100 KHz, 0.2v	
1.65	0.5	1CT:1CT	-0.5	-1.0	-2.0	CENTER TAP SYMMETRY	25	1500	

MECHANICAL



Unless otherwise specified all tolerances are:±0.25 in mm

SCHEMATICS

