

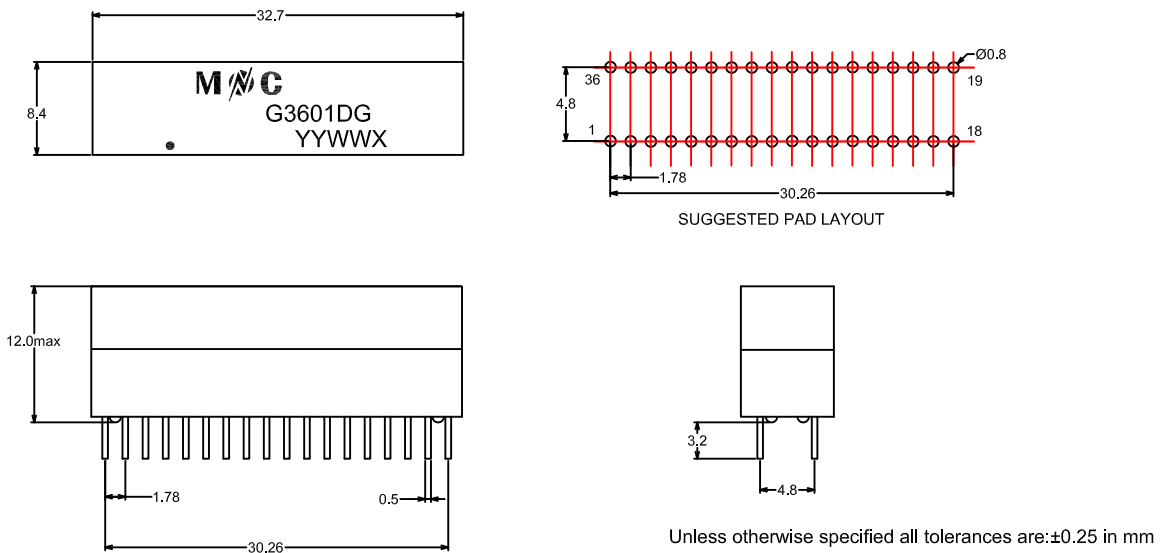
10/100/1000 BASE-T DUAL PORT THROUGH-HOLE MAGNETICS

- Meets IEEE 802.3 & ANSI X3.263 Standards.
- RoHS Compliant.
- 10/100/1000 Base-T, Through-Hole Type .
- Operating temperature range: 0 °C to +70 °C



Electrical Specifications @25°C									
Part Number	OCL(uH Min) @100KHz,0.2V	Turns Ratio (±3%)	Insertion Loss (dB Max)	Return Loss (dB Min)		Cross talk (dB Min)		CMMRR (dB Min)	HI-POT (Vrms)
	With 8mA DC Bias		0.5-100MHz	0.5-40MHz	40.1-100MHz	0.5-40MHz	40.1-100MHz		
G3601DG	350	1CT:1CT	-1.1	-18	-12+20*log(f/80)	-35	-30	-30	1500

MECHANICAL



SCHEMATICS

