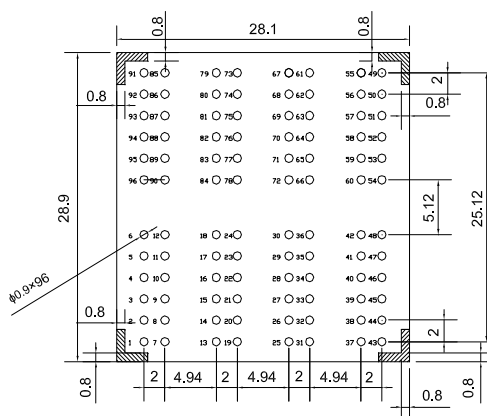
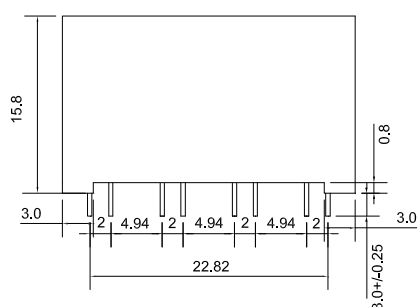
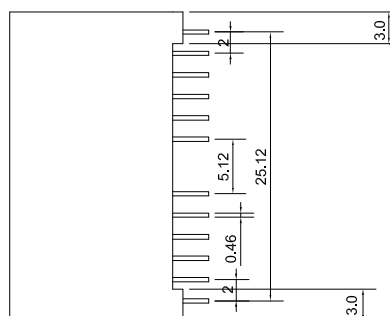
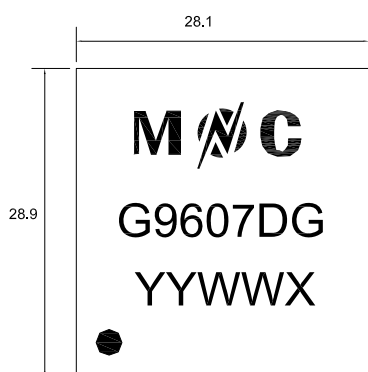


- Meets IEEE 802.3 & ANSI X3.263 Standards.
- 100/1000 Base-T, Through-Hole Type.
- RoHS Compliant.
- Operating temperature range: 0°C to +70°C.



Electrical Specifications @25°C										
Part Number	OCL(μH Min) @100KHz,0.2V With 8mA DC Bias	Turns Ratio (±2%)	Insertion Loss (dB Max)	Return Loss (dB Min)		Cross talk (dB Min)		CMRR (dB Min)	HI-POT (Vrms)	
			0.5-100MHz	0.5-40MHz	40.1-100MHz	0.5-40MHz	40.1-100MHz			
G9607DG	350	1CT:1CT	-1.1	-18	- 12+20*log(f/80)		-35	-30	-30	1500

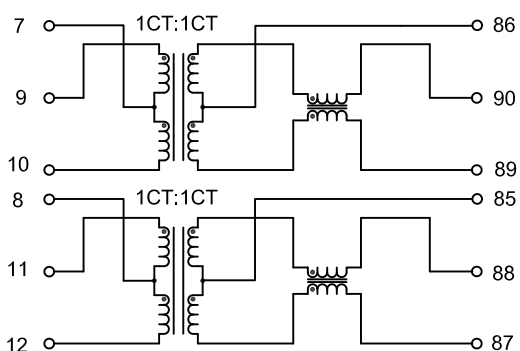
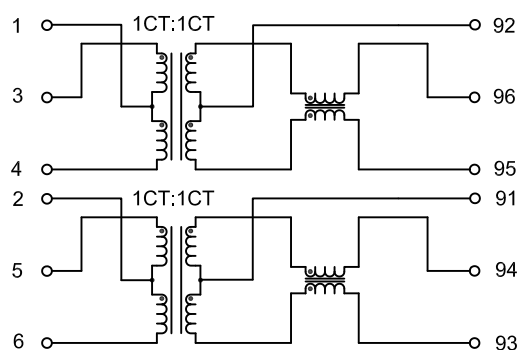
MECHANICAL



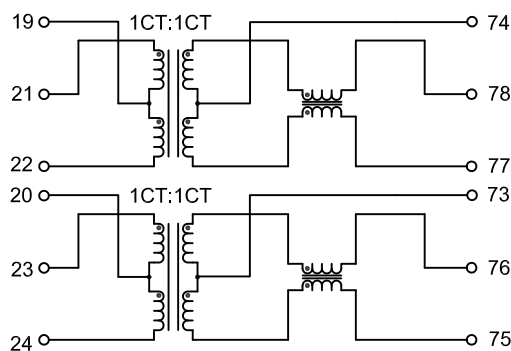
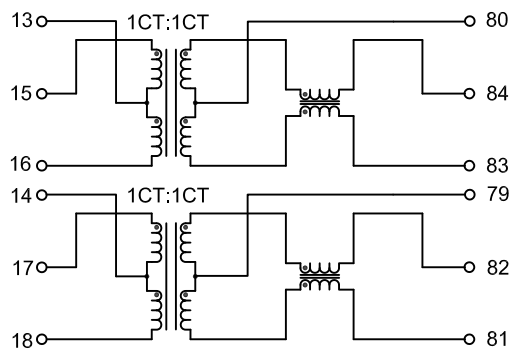
NO COMPONENT AREA.
 Suggested Customer PCB Layout
 (Component Side)

SCHEMATICS

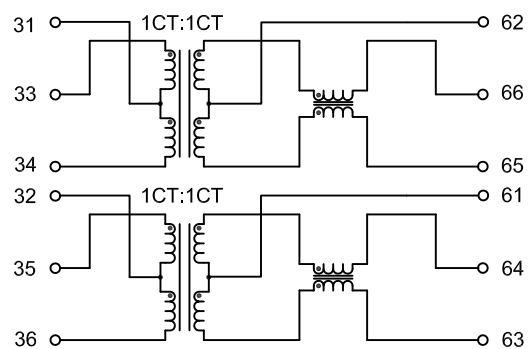
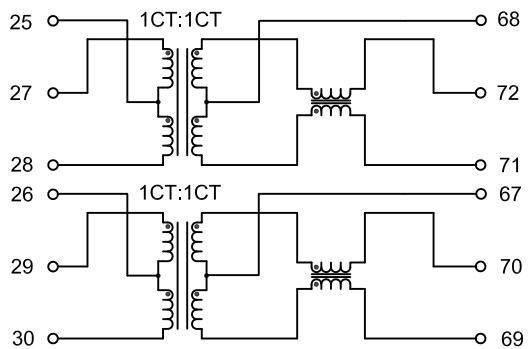
PHY Side Port 1 Line Side



PHY Side Port 2 Line Side



PHY Side Port 3 Line Side



PHY Side Port 4 Line Side

