




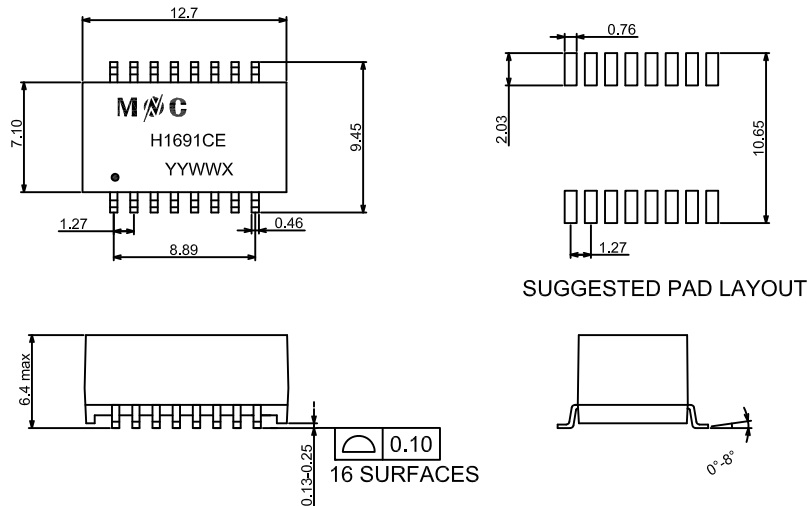


-  Meets IEEE 802.3 at & ANSI X3.263 Standards.
-  700mA PoE Capability.
-  10/100 Base-T, Surface Mount Type, Open Header .
-  Operating temperature range: -40 °C to +85 °C.
-  RoHS Compliant.



Electrical Specifications @25°C														
Part Number	OCL(uH Min) @100KHz,0.1V		Turns Ratio (±5%)	Insertion Loss (dB Max)	Return Loss (dB typ)			Cross talk (dB typ)			DCMR (dB typ)			HI-POT (Vrms)
	With 8mA DC Bias	With 19mA DC Bias			1-100MHz	1-30MHz	60MHz	80MHz	30MHz	60MHz	100MHz	30MHz	50MHz	
H1691CE	350	120	1CT:1CT	-1.00	-18	-14	-12	-35	-35	-35	-40	-40	-40	1500

## MECHANICAL



## SCHEMATICS

