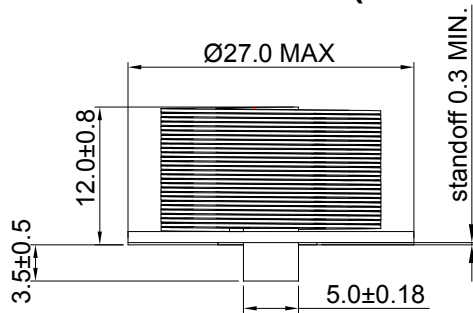


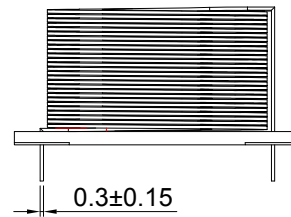
- RoHS Compliant.
- Termination finished: Sn-0.7Cu.
- Storage temperature: -40°C to +125°C .
- Operating temperature range: -40°C to +125°C (Including self temperature rise).

| Electrical Specifications @25°C | | |
|---------------------------------|--------------------------|--------------|
| Part Number | OCL(uH min.) @10KHz,0.1V | DCR (mΩ max) |
| | | 1-2 |
| MSCB2712DG4R5U | 4.5 | 18.5 |

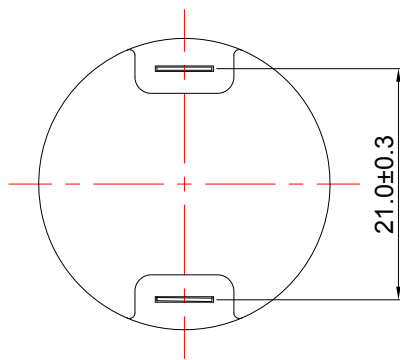
MECHANICAL DIMENSIONS (Unit:mm)



FRONT VIEW



SIDE VIEW



BOTTOM VIEW

SCHEMATICS



● Start Winding