

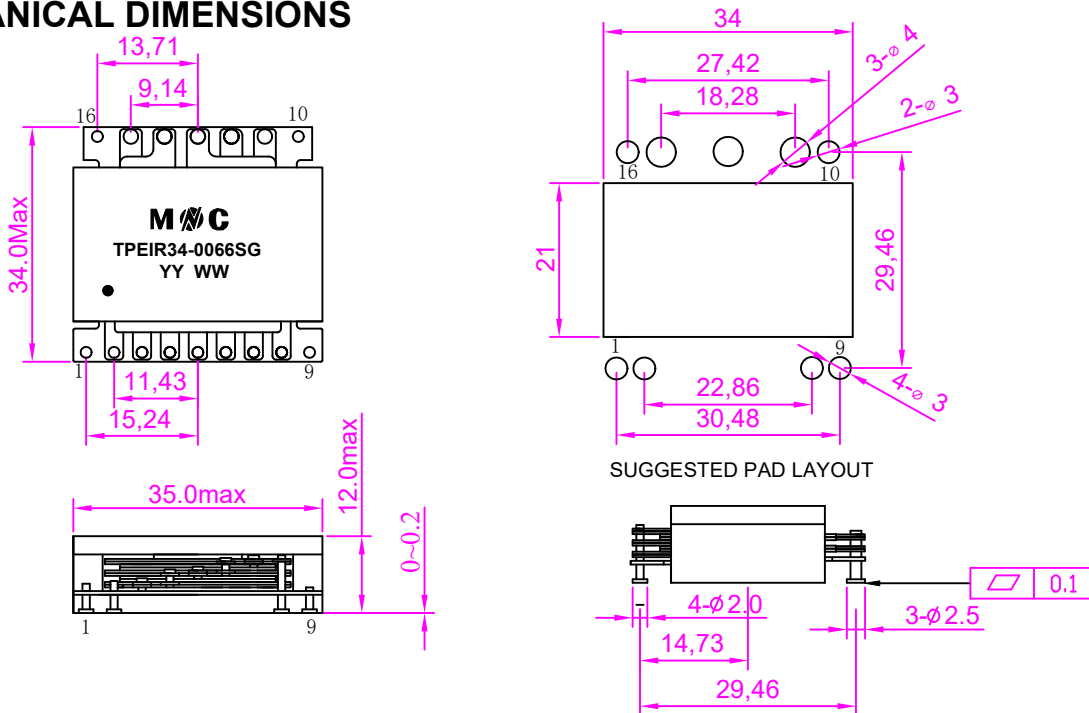
PLANAR TRANSFORMER

- IEC60950 Compliant.
- RoHS Compliant.
- Surface Mount Device.
- Operating temperature range(Including self temperature rise): -40°C to +125°C.



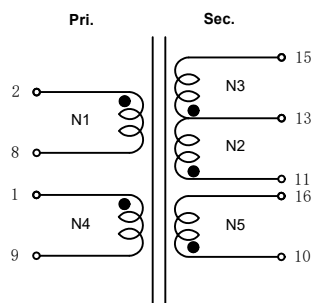
Application							
Output Power (W)	Work Frequency (KHz)	Circuit topology	Input Voltage (V)	Output Voltage (V)	Output Current (A)		
400	300	Full bridge	36~65	10.8	38		
Electrical Specifications @25°C							
Part Number	Turns Ratio(±3%)	OCL(μH±8%) @100KHz,1V	LK(μH Max) @100KHz,1.0V	DCR (mΩmax)			HI-POT (Vrms)
	2-8:11-13:13-15:1-9:10-16	2-8	2-8(short11,13,15)	2-8	11-13	13-15	Pri-Sec
TPEIR34-0066SG	6:2:2:2:2	20	0.13	6.0	2.5	2.5	DC1500V 1mA 60S

MECHANICAL DIMENSIONS



● Unless otherwise specified all tolerances are:±0.5 in mm

SCHEMATICS



○ Start Point