
MPLX20-D6C-CT1

Features

- ◆ Single fiber bi-directional data links with asymmetric 9.953Gbps downstream and 2.488Gbps upstream
- ◆ 1577nm continuous-mode EML laser transmitter and 1270nm burst-mode APD-TIA receiver
- ◆ 0 to 70°C operating case temperature
- ◆ +3.3V power supply
- ◆ SFP+ package with SC/UPC Receptacle connector
- ◆ 2-wire interface for integrated Digital Diagnostic Monitoring
- ◆ Digital Receiving Signal Strength Indication (RSSI)
- ◆ Low EMI and excellent ESD protection
- ◆ Class1 laser safety standard IEC-60825 compliant
- ◆ RoHS compliance

Application

- ◆ XGPON1 OLT (N2a class ODN)

Standard

- ◆ Complies with SFF-8472
- ◆ Complies with ITU-T G.987.2
- ◆ Complies with FCC 47 CFR Part 15, Class B
- ◆ Complies with FDA 21 CFR 1040.10 and 1040.11 except for deviations pursuant to Laser Notice No. 50, dated June 24, 2007

Description

The MPLX20-D6C-CT1 is an XG-PON1 OLT optical transceiver designed for low cost point-to-multipoint (P2MP) Fiber to Home (FTTH), Building or Curb (FTTx) applications. It employs a 1577nm EML CW mode downstream transmitter operating at 9.95328Gb/s and a 1270nm APD/TIA burst mode upstream receiver operating at 2.48832Gb/s. It is housed in a hot pluggable SFP+ package and is designed to operate over the commercial temperature range from 0 to 70°C.

Specification

Absolute Maximum Ratings				
Parameter	Symbol	Min	Max	Unit
Storage temperature	T _s	-40	+85	°C
Operating case temperature	T _c	0	+70	°C
Storage Relative Humidity	RH _s	5	95	%
Operating Relative Humidity	RH _o	5	85	%
Power Supply Voltage	V _{cc}	0	+3.6	V

Recommended Operating Conditions					
Parameter	Symbol	Min	Typical	Max	Unit
Operating Case Temperature	T _c	0		+70	°C
Power Supply Voltage	V _{CC3}	3.135	3.3	3.465	V
Supply Current	I _{CC3}	-	-	900	mA
Power Consumption	P _w	-	-	3	W
Data Rate		-	TX 9.953 RX 2.488	-	Gbps

Electrical Characteristics						
Parameter	Symbol	Min	Typical	Max	Unit	Notes
Transmitter Differential Data Input Swing	V _{INPP}	600	-	1600	mV	
Transmitter Differential Input Impedance	Z _{IN}	80	100	120	Ω	
Receiver Differential Data Output Swing	V _{OUTPP}	400	800	1600	mV	
Receiver Differential Output Impedance	Z _{OUT}	80	100	120	Ω	
TX Disable	V _{TDH}	2.0	-	V _{CC}	V	LVTTTL input
	V _{TDL}	0	-	0.8		
TX Fault	V _{TFH}	2.0	-	V _{CC}	V	LVTTTL output
	V _{TFL}	0	-	0.8		
RX Reset	V _{RSTH}	2.0	-	V _{CC}	V	LVTTTL input
	V _{RSTL}	0	-	0.8		
RX_LOS	V _{SDH}	2.0	-	V _{CC}	V	LVTTTL output
	V _{SDL}	0	-	0.8		

Optical transmitter Characteristics						
Parameter	Symbol	Min	Typical	Max	Unit	Notes
Operating Wavelength Range	λ_c	1575	1577	1580	nm	
Launched Power	P_{OUT1}	4	-	8	dBm	
Spectral Width(-20dB)	$\Delta\lambda$	-	-	1	nm	
Side Mode Suppression Mode	SMSR	30	-	-	dB	
Extinction Ratio	ER	8.2	-	-	dB	PRBS 2 ³¹ -1 @9.953Gbps
Optical Output Power after TX Disable	P_{OFF}	-	-	-39	dBm	
Transmitter tolerance to reflected optical power		-15	-	-	dB	
Output Eye Diagram	Compliant with ITU-T G.987.2					
Optical receiver Characteristics						
Parameter	Symbol	Min	Typical	Max	Unit	Notes
Operating Wavelength Range	λ_c	1260	1270	1280	nm	
Receiver Sensitivity	P_{SEN1}	-	-	-29.5	dBm	PRBS 2 ²³ -1 @2.488Gbps BER<1x10 ⁻⁴ ER=8.2dB
Saturation Optical Power-N1	P_{SAT1}	-9	-	-	dBm	
RX_LOS Assert	P_A	-40	-	-30	dBm	
RX_LOS De-assert	P_D	-40	-	-30	dBm	
RX_LOS Hysteresis	P_{Hy}	0.5	-	5	dB	
Immunity from Continuous Identical Digits	CID	72	-	-	Bit	
Receiver Reflectance		-	-	-20	dB	
Tolerance to the reflected optical power		-	-	10	dB	

Receiver Timing Characteristics						
Parameter	Symbol	Min.	Typ.	Max.	Unit	Notes
Guard Time	T_g	64	-	-	Bit	
Reset Pulse Width	T_r	25.6	-	-	ns	
Data Recovery Time	T_{settle}	-	-	25.6	ns	
SD Assert Time	T_a	-	-	50	ns	
SD De-assert Time	T_d	-	-	12.8	ns	

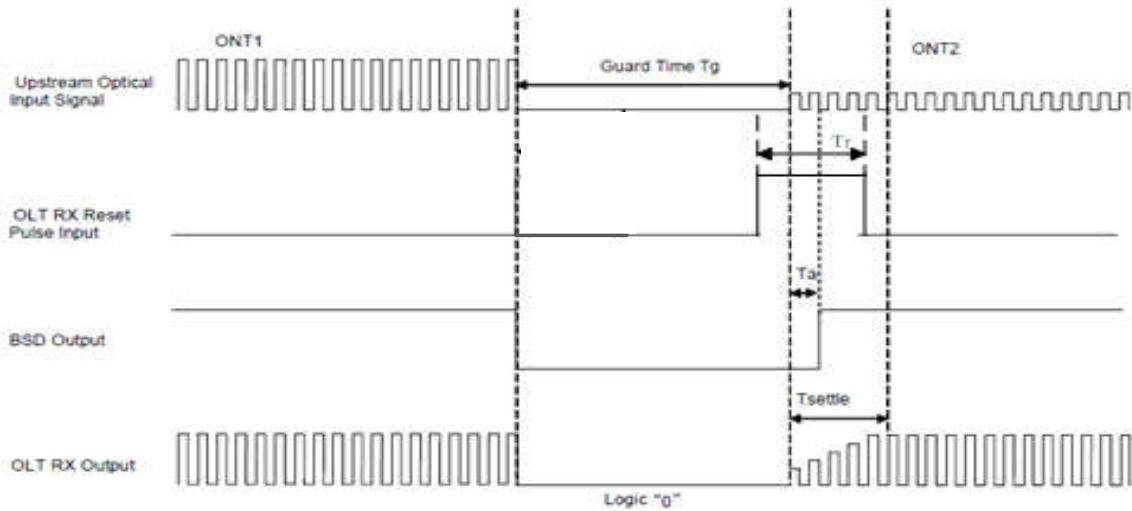


Figure 1 Timing Parameter Definitions in Burst Mode Sequence a

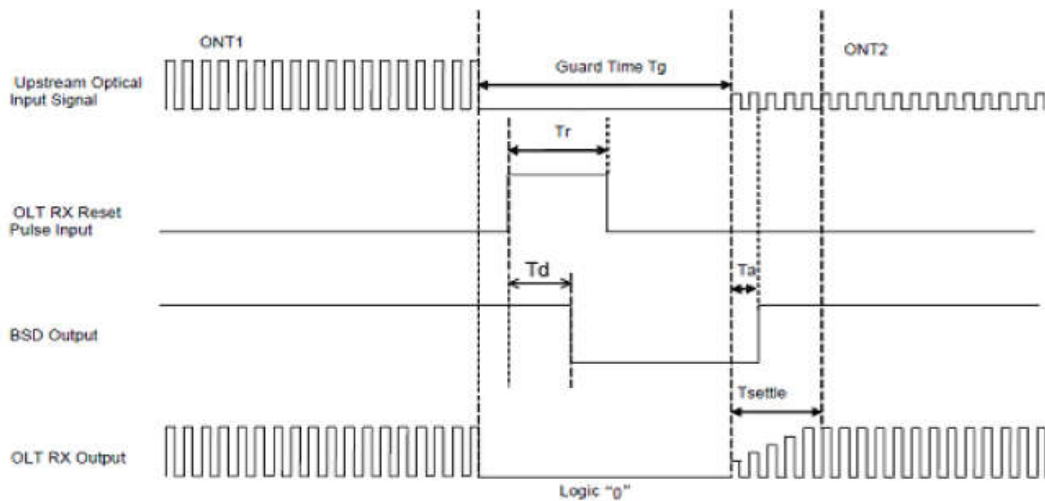


Figure 2 Timing Parameter Definitions in Burst Mode Sequence b

RSSI Characteristics						
Parameter	Symbol	Min.	Typ.	Max.	Unit	Notes
RSSI Trigger-Low		0	-	0.8	V	
RSSI Trigger-High		2.0	-	V _{CC}	V	
RSSI Trigger Delay	T _D	300	-	3000	ns	
Optical Signal During Time	T _{ONT}	1	-	-	μs	
RSSI Trigger width	T _W	500	-	T _{ONT} - T _D	ns	
I2C Access Prohibited Time	T _p	500	-	-	μs	

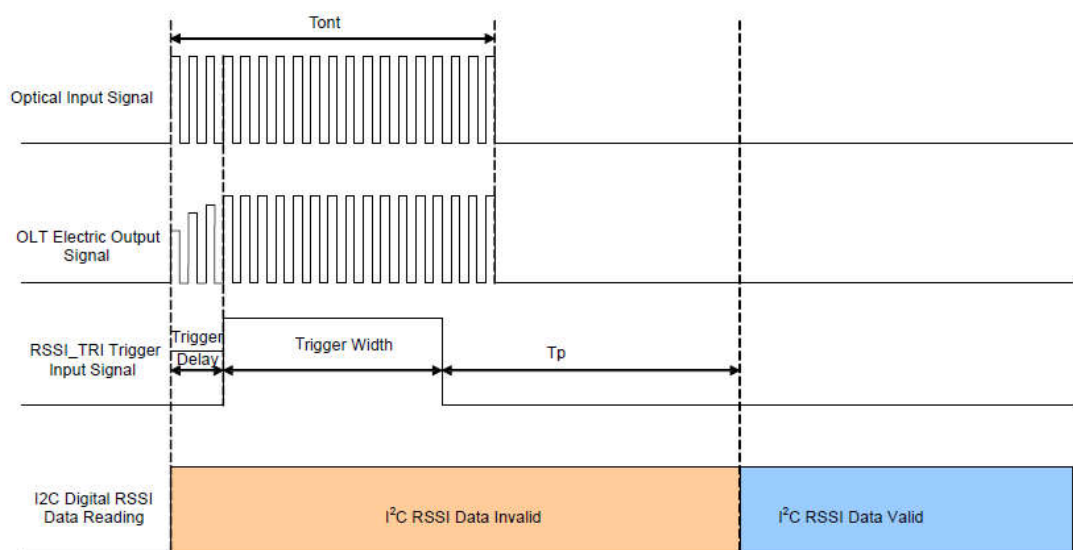


Figure 3 Timing Parameter Definitions in RSSI Trigger

Digital Diagnostic Monitoring Information

Parameter	Accuracy	Calibration	Note
Temperature	±3°C	Internal	
Voltage	±3%	Internal	
Bias Current	±10%	Internal	Quantization Unit 4uA
TX Power	±2dB	Internal	Quantization Unit 0.2μW
RX Power	±3dB	Internal	-30 to -9dBm(Quantization Unit 0.1μW)

Pin Definition

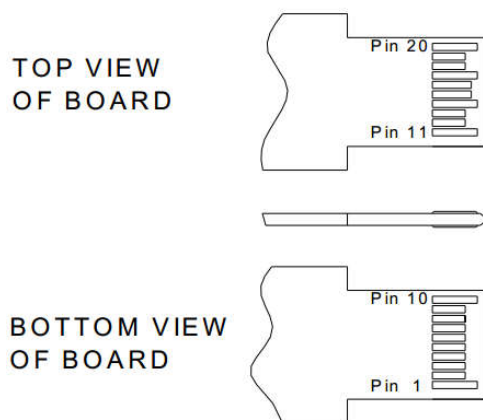


Figure 4 Pin out Drawing

Pin No	Name	Default Description	Note
1	GND	Module Ground	
2	TX_FAULT	Transmitter fault Indication	LVTTTL Output
3	TX_DIS	Transmitter Disable	LVTTTL Input; Low: transmitter on
4	SDA	2-Wire Serial Interface data line	LVTTTL
5	SCL	2-Wire Serial Interface clock line	LVTTTL
6	MOD_ABS	Module Absent indicate pin; Grounded in the Module	
7	RX_RESET	Burst Module Reset Signal, high active	LVTTTL Input
8	RX_SD	High: signal detected; Low: loss of signal	LVTTTL Output
9	RSSI_TRIG	RSSI Trigger for Transceiver	High: enable RSSI A/D conversion, LVTTTL Input
10	GND	Module Ground	
11	GND	Module Ground	
12	RD-	Inverted Received Data Out	CML Output, AC coupled
13	RD+	Non-inverted Received Data Out	CML Output, AC coupled
14	GND	Module Ground	
15	VCC3_RX	Receiver 3.3V Power Supply	
16	VCC3_TX	Transmitter 3.3V Power Supply	
17	GND	Module Ground	
18	TD+	Non-Inverted Transmit Data in	CML Input, AC coupled
19	TD-	Inverted Transmit Data in	CML Input, AC coupled
20	GND	Module Ground	

Typical application Circuit

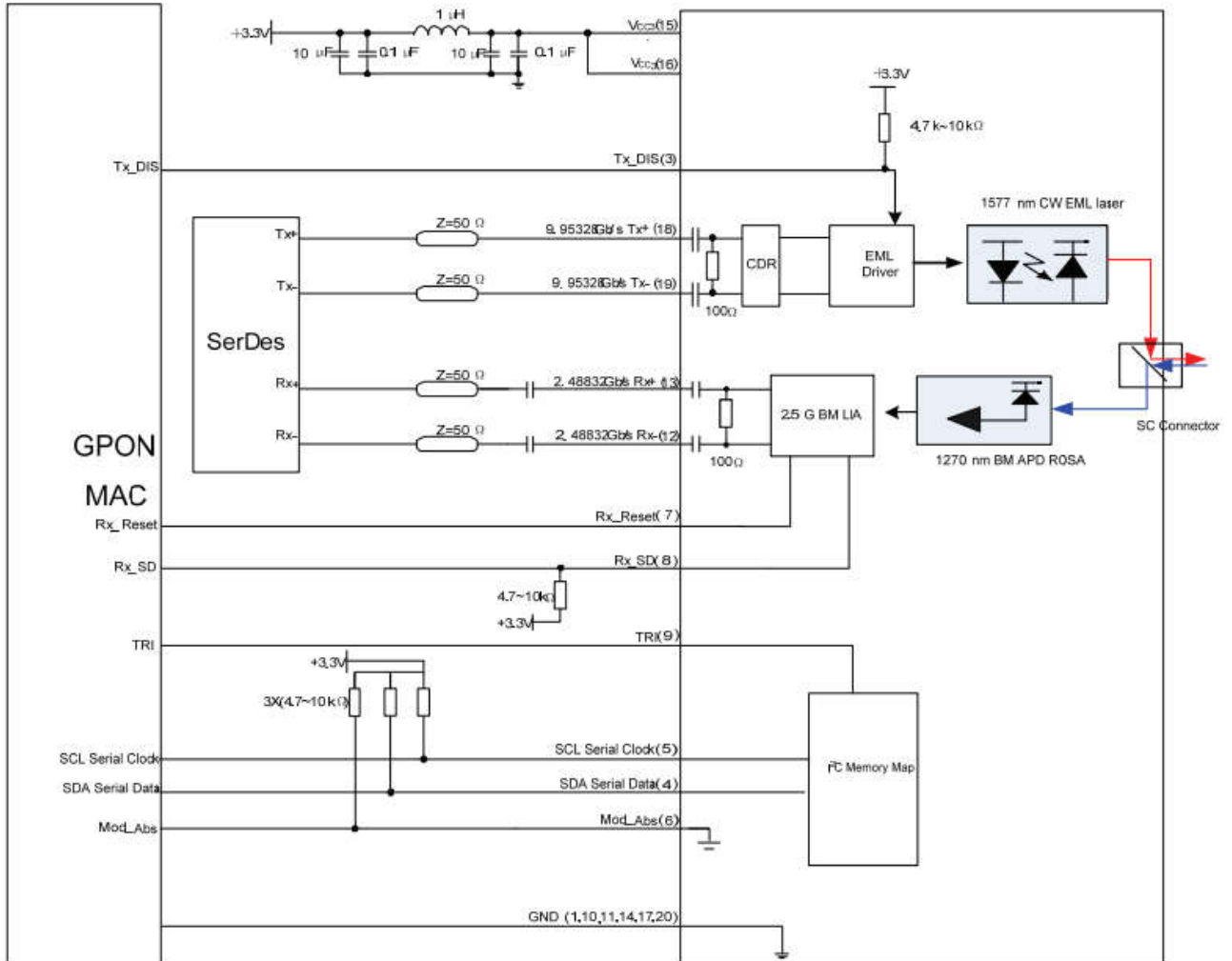


Figure 5 Typical Interface Circuit

2-Wire Serial Memory Map

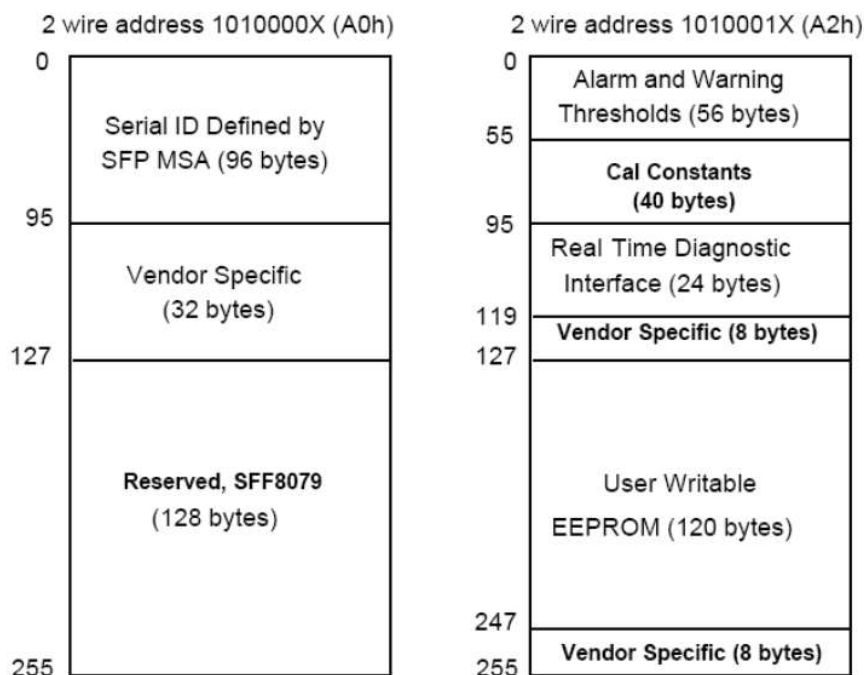


Figure 6 EEPROM Memory Map Specific Data Field Descriptions

EEPROM serial ID memory contents (A0h)

Address	#Bytes	Name	HEX	Description
0	1	Identifier	03	SFP+
1	1	Ext. Identifier	04	Non Standard GBIC Interface
2	1	Connector	01	SC connector
3-10	8	Transceiver	47 13 01 00 00 01 00 3E	Code for electronic compatibility or optical compatibility
11	1	Encoding	03	NRZ
12	1	BR, Nominal	64	10Gbps
13	1	Reserved	00	Reserved
14	1	Length(9μm)-km	14	20km
15	1	Length(9μm)-100m	C8	20km
16	1	Length (50μm OM2)-10m	00	MMF Not Supported
17	1	Length (62.5μm OM1)-10m	00	MMF Not Supported
18	1	Length (50μm OM4)-10m	00	MMF Not Supported
19	1	Length (50μm OM3)-10m	00	MMF Not Supported

20-35	16	Vendor name	4D 45 4E 54 45 43 48 4F 50 54 4F 20 20 20 20 20	"MENTECHOPTO"(ASCII character)
36	1	Reserved	00	Reserved
37-39	3	Vendor OUI	00 00 00	SFP Vendor IEEE Company ID
40-55	16	Vendor PN	4D 50 4C 58 32 30 2D 44 36 43 2D 43 54 31 20 20	MPLX20-D6C-CT1
56-59	4	Vendor rev	41 30 20 20	A0
60-61	2	Wavelength	06 29	1577nm
62	1	Reserved	00	Reserved
63	1	CC_BASE	Programmed by Factory	Check sum of bytes 0-62
64-65	2	Transceiver Options	00 1C	RX_LOS,TX_Fault, TX_Disable
66	1	BR, max	00	
67	1	BR, min	00	
68-83	16	Vendor SN	Programmed by Factory	Serial number provided by vendor (ASCII)
84-91	8	Date Code	"YYMMDDLL"	Vendor's manufacturing date code (ASCII)
92	1	Diagnostic Monitoring Type	68	Internal Calibrated; Received power measurement type: Average Power
93	1	Enhanced Options	E0	Optional Alarm/warning implemented; Soft TX_DISABLE, TX_FAULT implemented
94	1	Compliance	02	Revision Implemented
95	1	CC_EXT	Programmed by Factory	Check sum of bytes 64-94
96-127	32	Vendor Specific		Vendor Specific EEPROM
128-255	128	Reserved	00	Reserved

EEPROM serial ID Memory contents (A2h)

Alarm and Warning Thresholds

Address	Field Size(Byte)	Name of field	Description
00-01	2	Temp High Alarm	MSB at low address, 80℃
02-03	2	Temp Low Alarm	MSB at low address, -10℃
04-05	2	Temp High Warning	MSB at low address, 70℃
06-07	2	Temp Low Warning	MSB at low address, 0℃
08-09	2	3.3V Voltage High Alarm	MSB at low address, 3.6V
10-11	2	3.3V Voltage Low Alarm	MSB at low address, 3.0V
12-13	2	3.3V Voltage High Warning	MSB at low address, 3.5V
14-15	2	3.3V Voltage Low Warning	MSB at low address, 3.1V
16-17	2	Bias High Alarm	MSB at low address, 125mA
18-19	2	Bias Low Alarm	MSB at low address, 5mA
20-21	2	Bias High Warning	MSB at low address, 110mA
22-23	2	Bias Low Warning	MSB at low address, 10mA
24-25	2	TX Power High Alarm	MSB at low address, +9dBm
26-27	2	TX Power Low Alarm	MSB at low address, +3dBm
28-29	2	TX Power High Warning	MSB at low address, +8dBm
30-31	2	TX Power Low Warning	MSB at low address, +4dBm
32-33	2	RX Power High Alarm	MSB at low address, -7dBm
34-35	2	RX Power Low Alarm	MSB at low address, -31.5dBm
36-37	2	RX Power High Warning	MSB at low address, -9dBm
38-39	2	RX Power Low Warning	MSB at low address, -29.5dBm
40-55	16	Reserved	Reserved

A/D Readout (Table A2H Byte 96~109)

Address	Field Size (Byte)	Name of Field	Description	Precision	Unit
96-97	2	Temperature	Internally measured module temperature, MSB at low address	±3	°C
98-99	2	3.3V Supply Voltage	Internally measured supply voltage, MSB at low address	±3%	V
100-101	2	TX Bias Current	Internally measured TX Bias Current, MSB at low address. Unit:4uA	±10%	mA
102-103	2	TX Power	Internally measured TX output power, MSB at low address. Unit:0.2uW	±2	dBm
104-105	2	RX Power	Internally measured RX input power, MSB at low address. Unit:0.1uW	±3	dBm
106-107	2	Reserved			
108-109	2	Reserved			

Product Security requirements

Items	Contents
Virus scanning	Don't contain malicious code or code vulnerabilities such as Trojans, viruses, worms, backdoors, etc.
Source code static scanning	Don't contain dead pointers, divide by 0, integer overflow, invalid shift operations, memory management, null pointer indirect references, boundary overflow checks, uninitialized variables, write constants, etc.
Source code security scanning	Don't contain memory leaks, out of bounds errors, arithmetic errors, suspicious code, logic errors, etc.

Package Outline

Dimensions are in millimeters. (Unit: mm)

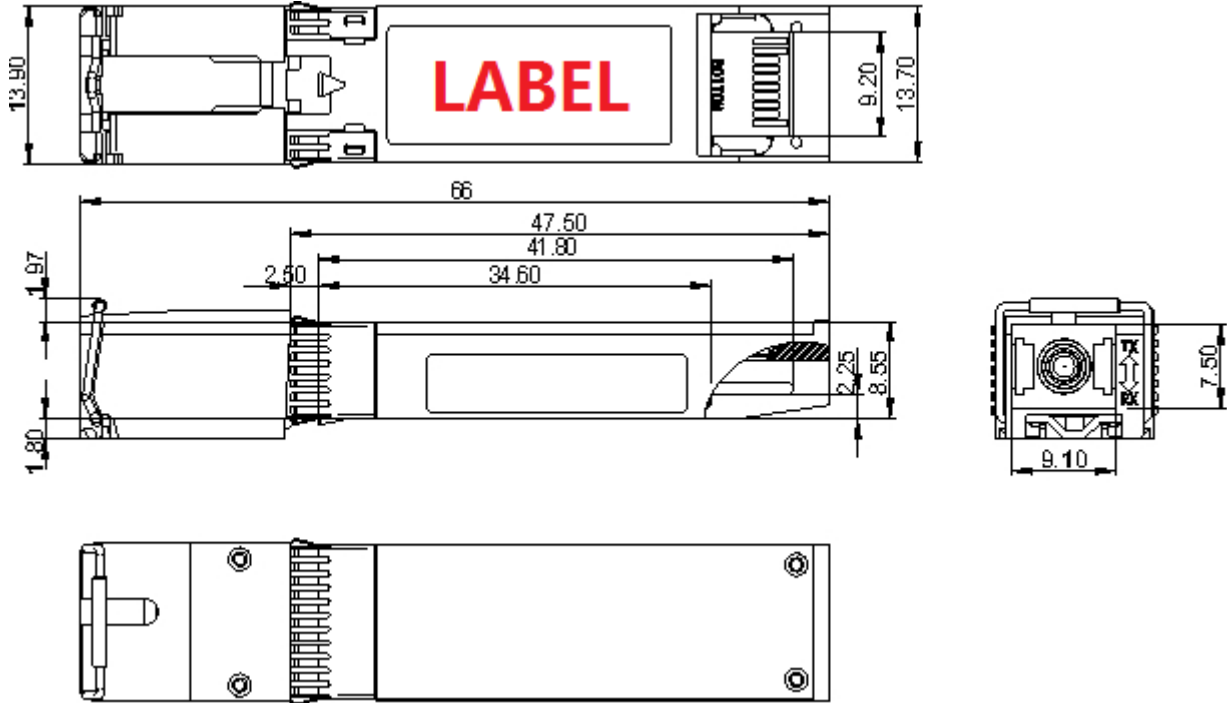


Figure7 Package Outline for MPLX20-D6C-CT1

Ordering information

Part. No	Specifications								
	Package	Data Rate (Gbps)	Tx (nm)	Po (dBm)	Rx (nm)	Sen (dBm)	Temp (°C)	Reach (km)	DDM
MPLX20-D6C-CT1	SFP+	TX 9.953 RX 2.488	1577	+4~+8	1270	<-29.5	0~70	20	Y